

CP-SA-L10060-W

IR Illuminator - 100 Meter

- Improve performance of camera to get better pictures at night time.
- Accurate constant circuit drive develops excellent performance of LED; Using high power LED, high efficacy and long service life.
- Fill Light for night vision camera.
- Indoor/Outdoor use.
- Easy installation.



System Overview

For providing perfect light in the dark, the CP PLUS IR illuminator is just what you need. Installing the IR illuminator along with your CCTV camera lets you enjoy a vivid image quality. When the scene is too dark, infrared light is illuminated onto the scene while an image is being clicked, adding impressive details to the picture.

Functions

Dot-Matrix IR LED

The super-power dot-matrix IR LED that has been integrated in this illuminator has potent and concentrated light effects and also has the low light decline feature.



CP-SA-L10060-W

IR Illuminator - 100 Meter

Functions

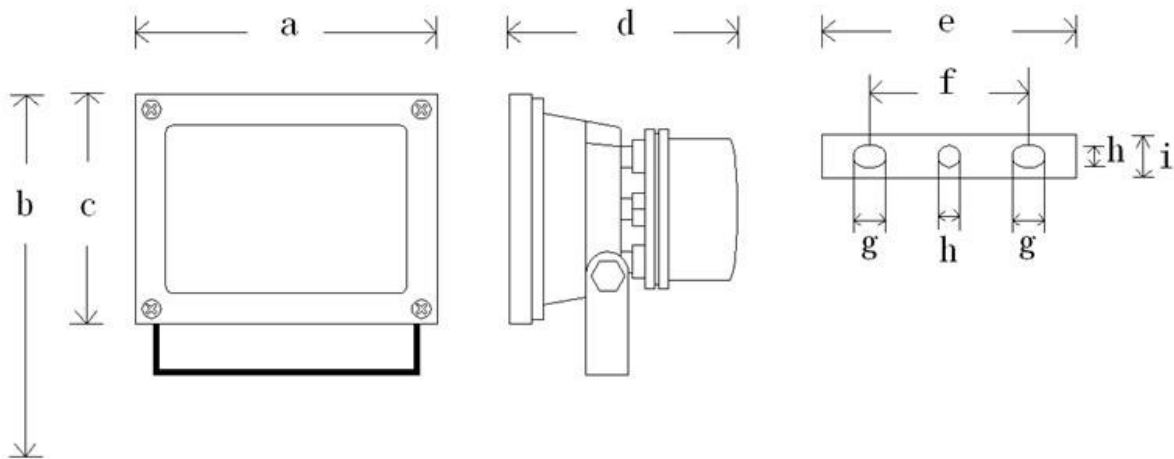
Increased Efficiency

This IR illuminator comes with high-efficiency twice lens processing that makes up for 90% of the luminous capability that increases the infrared light's effectiveness.

Low-Maintenance Housing

The stainless steel housing for the IR illuminator has been designed with high thermal conductivity aluminium to enhance the heat dispersion property.

Dimensions (mm/inch)



a: 228mm, b: 185mm, c: 128mm, d: 205mm, e: 90mm, f: 13mm, g: 35mm, h: 10mm, j: 30mm

About CP PLUS

The brand that is on its way to lead the world when it comes to the security and surveillance industry, CP PLUS, keeps bombarding the market with the most reliable range of products that have been designed carefully and methodically to automate the whole surveillance and security process, no matter how big your premises are.

It was the initiative to help the public in the area where they are the most vulnerable and to empower the sense of safety in our hearts that had conceptualized CP PLUS. And embarking on its mission to make the world a safer and more secure place has taken the brand's journey to unprecedented levels even when compared to international competitors.



CP-SA-L10060-W

IR Illuminator - 100 Meter

Feature	Specification
LED Type	12PCS 2W High Power LED
Wavelength	850nm
Beam Angle	60°
Day and night switch	Auto
IR Distance	100 Mtr.
Bracket	Mounting
Temperature	-40°C to +50°C
Ingress Protection	IP65
Color	Gray
Housing	Aluminum Die Casting
Panel	Tempered glass panel
Voltage	AC110-220V/AC24V/DC12V
Plug	AC110-220V (standard), other voltage optional
Wire	If 12VDC/24VAC : 45 cm
Power consumption	31W
Packing Dimension	29mm x 25mm x 18mm
Net weight	2.28kg
Gross weight	2.7kg

Company Name:

CP PLUS (Aditya Infotech Ltd.)
F-28 Okhla Industrial Area, Phase 1,
New Delhi 110020, INDIA

Contact Mail ID :- customer@cpplusworld.com