

CP-UNC-TA41PL3

4MP Network IR Bullet Camera - 30Mtr.

- 1/3" 4MP PS CMOS Image Sensor(0.84667Cm)
- Max. Outputs 4MP (2560 × 1440)@25/30 fps.
- Instastream and H.264 dual-stream encoding
- DWDR, Day/Night(ICR), 3D-NR, ROI, AWB, AGC, BLC, HLC
- 3.6mm lens (2.8mm optional)
- IR Range 30 Mtrs, IP67
- Mobile Software: iCMOB, gCMOB
- CMS Software: KVMS Pro



System Overview

With features of simple installation, easy operation, and high performance-cost ratio, This Series camera is applicable to small and medium-sized scenes, such as homes/residences, small-sized retail stores, and other small and medium-sized enterprises.

Functions

Regions of Interest

Regions of Interest (ROI) is a user defined feature that allows the operator to monitor specific areas of a scene while still maintaining overall situational awareness of less important areas.



CP-UNC-TA41PL3

4MP Network IR Bullet Camera - 30Mtr.

Functions

Instastream

This camera has been designed with the latest and most efficient innovation among the standard video compression designs. Smart encoding algorithms developed by CP PLUS help in saving up to 70% more bandwidth than H.265 along with making it more beneficial for minimizing bandwidth and storage costs. It enhances video coding efficiency while providing high resolution and the rate of frame in the video using Intelligent Region Perception to detect motion in each frame.

KVMS Pro

The KVMS Pro is a hybrid security management software that allows the management of various surveillance devices such as cameras, DVRs/ NVRs, encoders/ decoders, etc. It is released with the surveillance hardware and exclusively supports CP PLUS devices

gCMOB/ iCMOB

Designed to allow users to access and control live streaming from CP PLUS IP Cameras, DVRs/ NVRs and Video Door Phones, the CP PLUS gCMOB/ iCMOB application offers a host of features such as Easy GUI, up to 16 live viewing split-ups; InstaOn cloud support; Playback; digital zoom ins; two-way talk, and more.

About CP PLUS

The brand that is on its way to lead the world when it comes to the security and surveillance industry, CP PLUS, keeps bombarding the market with the most reliable range of products that have been designed carefully and methodically to automate the whole surveillance and security process, no matter how big your premises are.

It was the initiative to help the public in the area where they are the most vulnerable and to empower the sense of safety in our hearts that had conceptualized CP PLUS. And embarking on its mission to make the world a safer and more secure place has taken the brand's journey to unprecedented levels even when compared to international competitors.



CP-UNC-TA41PL3

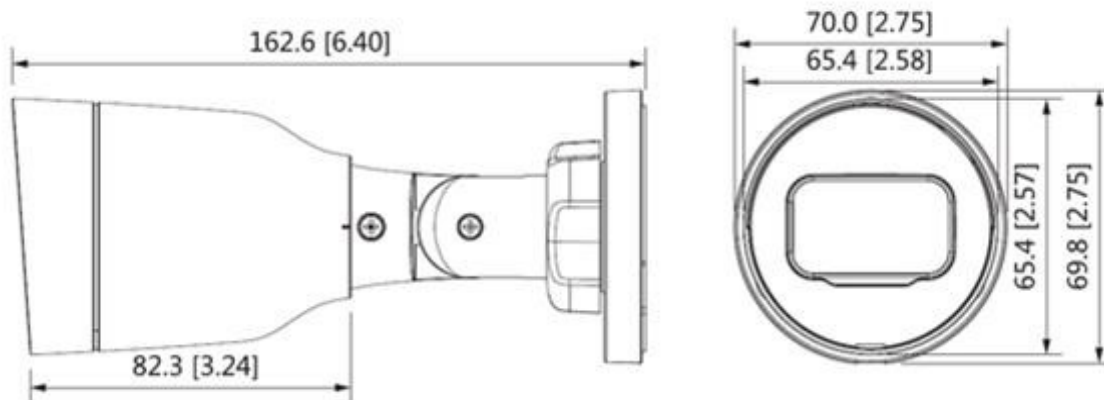
4MP Network IR Bullet Camera - 30Mtr.

Feature	Specification
Image Sensor	1/3" 4MP PS CMOS Image Sensor(0.84667Cm)
Effective Pixels	2560 (H) × 1440 (V)
Minimum Illumination	0.03 lux@F2.0 (Color, 30 IRE) 0.003 lux@F2.0 (B/W, 30 IRE) 0 lux (Illuminator on)
Shutter Speed	Auto/Manual, 1/3~1/100000s
ROM	16MB
RAM	64MB
Lens	3.6mm (2.8mm Optional)
Lens Type	Fixed-focal
Lens Mount	M12
Max. Aperture	F2.0
Iris Type	Fixed
Close Focus Distance	2.8 mm: 1m 3.6 mm: 1.4m
DORI Distance	2.8mm: 68.0m(Detect) 27.2m(Observe) 13.6m(Recognize) 6.8m(Identify) 3.6mm: 85.2m(Detect) 34.1m(Observe) 17.0m(Recognize) 8.5m(Identify)
White Balance	Auto; natural; street lamp; outdoor; manual; regional custom
Back Light Compensation	BLC / HLC / DWDR
ICR	Auto (ICR)/Color/B/W)
ROI	Yes (4 areas)
Video Compression	H.265;Smart H.264+; H.264; H.264B; MJPEG (Only supported by the sub stream)
Encode Strategy	Instastream
Stream Capability	2 streams
Gain Control AGC)	Auto/Manual
Angle of View	2.8 mm: H: 90°; V: 50°; D: 107° 3.6 mm: H: 76°; V: 40°; D: 92

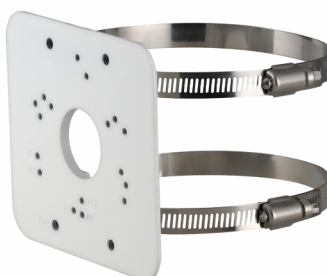
Feature	Specification
Pan, Tilt, Rotation	Pan: 0°–360° Tilt: 0°–90° Rotation: 0°–360°
Image Rotation	0°/180° (0° by default)
Resolution	4M (2560 × 1440); 3M (2304 × 1296); 1080p (1920 × 1080); 1.3M (1280 × 960); 720p (1280 × 720)
Frame Rate	Main stream: 2560 × 1440@(1–25/30 fps) Sub stream: 704 × 576@(1–25 fps)/704 × 480@(1–30 fps) *The values above are the max. frame rates of each stream; for multiple streams, the values will be subjected to the total encoding capacity
IR Distance	Range of 30 m.
IR Control	Auto; manual
No. of IR LEDs	1 (IR LEDs)
S/N Ratio	>56 dB
Noise Reduction	3D NR
Motion detection	OFF/ON (4 areas, rectangular)
Abnormality Detection	Motion detection, video tampering, network disconnection, IP conflict and illegal access
Event Trigger	Network disconnection; IP conflict; illegal access; motion detection; video tampering; security exception
Privacy Mask	4 areas
Bit Rate Control	CBR/VBR
Bit Rate	H.264: 32 kbps–4096 kbps H.265: 12 kbps–4096 kbps
Protocol	IPv4; IPv6; HTTP; TCP; UDP; ARP; RTP; RTSP; RTCP; SMTP; FTP; DHCP; DNS; NTP; Multicast, ONVIF (Profile S/Profile T); CGI; InstaOn Cloud; Genetec
Ethernet	RJ-45 (10/100Base-T)
Cyber Security	Configuration encryption; Trusted execution; Digest; Security logs; HTTPS; Trusted upgrade; WSSE; Trusted boot; Account lockout; Generation and importing of X.509 certification; Video encryption
Storage	FTP
SDK and API	Supported
Mirror Function	Supported
Browser	IE, Chrome, Firefox

Feature	Specification
User/Host	6 (Total bandwidth: 24 M)
Smart Phone	iPhone, Android Phone
Weatherproof Standard	IP67
Operating Temperature	-40 °C to +60 °C (-40 °F to +140 °F)
Storage Temperature	-40 °C to +60 °C (-40 °F to +140 °F)
Humidity	≤95%
Power Source	12 VDC/PoE (802.3af)
Power Consumption	Basic: 1.4 W (12 VDC); 2.2 W (PoE) Max. (ICR + H.265+IR intensity): 3.4 W (12 VDC); 4.4 W (PoE)
Casing	Metal + plastic
Dimension	162.6 mm × 70 mm × 70 mm (L x W x H)
Weight	0.22 kg

Dimensions (mm/inch)



Accessories : Optional



CP-UA-B2P
Pole Mount

Company Name:

CP PLUS (Aditya Infotech Ltd.)
F-28 Okhla Industrial Area, Phase 1,
New Delhi 110020, INDIA

Contact Mail ID :- customercare@cpplusworld.com