

# CP-UNC-TA41PL3C

## 4MP IR Network Bullet Camera - 30Mtr.

- 1/3" 4MP PS CMOS Image Sensor (0.84667cm)
- Outputs max. 4 MP (2560 × 1440)@25/30 fps
- Instastream and smart H.264plus dual-stream encoding
- DWDR, Day/Night (ICR), 3D-NR, ROI, AWB, AGC, BLC, HLC
- Support Built-in Mic
- 3.6mm fixed lens (2.8mm optional)
- IR Range of 30 Mtrs, IP67, PoE
- Mobile Software: iCMOB, gCMOB
- CMS Software: KVMS Pro



### System Overview

With features of simple installation, easy operation, and high performance-cost ratio, This Series camera is applicable to small and medium-sized scenes, such as homes/residences, small-sized retail stores, and other small and medium-sized enterprises.

### Functions

#### Power over Ethernet

This product uses the latest PoE technology to troubleshoot the occurrence of any issues in the system making it easier to use. With the help of this technology, your camera now only consumes energy directly from the power supply and doesn't require any mid-way switches.



## CP-UNC-TA41PL3C

4MP IR Network Bullet Camera - 30Mtr.

### Functions

#### True Day/Night (ICR)

When the scene is too dark, the image is captured by illuminating an infrared light through the camera onto the scene that greatly helps with making the scene visible for the lens. It delivers color images during the day and automatically switches to the monochrome feature as the scene darkens.

#### Regions of Interest

Regions of Interest (ROI) is a user defined feature that allows the operator to monitor specific areas of a scene while still maintaining overall situational awareness of less important areas.

#### gCMOB/ iCMOB

Designed to allow users to access and control live streaming from CP PLUS IP Cameras, DVRs/ NVRs and Video Door Phones, the CP PLUS gCMOB/ iCMOB application offers a host of features such as Easy GUI, up to 16 live viewing split-ups; InstaOn cloud support; Playback; digital zoom ins; two-way talk, and more .

#### KVMS Pro

The KVMS Pro is a hybrid security management software that allows the management of various surveillance devices such as cameras, DVRs/ NVRs, encoders/ decoders, etc. It is released with the surveillance hardware and exclusively supports CP PLUS devices.

### About CP PLUS

The brand that is on its way to lead the world when it comes to the security and surveillance industry, CP PLUS, keeps bombarding the market with the most reliable range of products that have been designed carefully and methodically to automate the whole surveillance and security process, no matter how big your premises are.

It was the initiative to help the public in the area where they are the most vulnerable and to empower the sense of safety in our hearts that had conceptualized CP PLUS. And embarking on its mission to make the world a safer and more secure place has taken the brand's journey to unprecedented levels even when compared to international competitors.



# CP-UNC-TA41PL3C

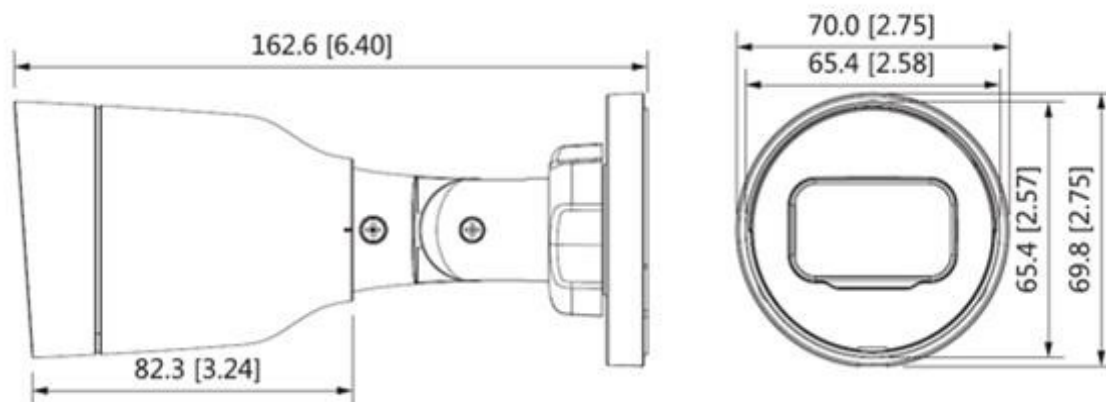
## 4MP IR Network Bullet Camera - 30Mtr.

Feature	Specification
Image Sensor	1/3" 4MP Progressive scan CMOS (0.84667cm)
Effective Pixels	2560 (H) × 1440 (V)
Minimum Illumination	0.03 lux@F2.0 (Color, 30 IRE) 0.003 lux@F2.0 (B/W, 30 IRE) 0 lux (IR on)
Shutter Speed	Auto/Manual 1/3 s–1/100000 s
RAM & ROM	RAM; 64 MB & ROM; 16 MB
Lens	3.6mm (2.8mm optional)
Lens Type	Fixed-focal
Lens Mount	M12
Max. Aperture	F2.0
Iris Type	Fixed
Close Focus Distance	3.6 mm: 1.4 m; 2.8 mm: 1 m
DORI Distance	3.6mm- 85.2m (Detect) 34.1 m (Observe) 17.0 m (Recognize) 8.5 m (Identify) 2.8mm- 68.0 m (Detect) 27.2 m (Observe) 13.6 m (Recognize) 6.8 m (Identify)
White Balance	Auto/natural/street lamp/outdoor/manual/regional custom
Back Light Compensation	BLC / HLC / DWDR
ICR	Auto (ICR)/Color/B/W
ROI	Supported (4 areas)
Video Compression	H.265/Smart H.264+/H.264/ H.264B/ MJPEG (only supported by the sub stream)
Encode Strategy	Instastream
Stream Capability	2 Stream
Gain Control (AGC)	Auto/Manual
Angle of View	3.6 mm: H: 76°; V: 40°; D: 92; 2.8 mm: H: 90°; V: 50°; D: 107°

Feature	Specification
Pan, Tilt, Rotation	Pan: 0°–360° Tilt: 0°–90° Rotation: 0°–360°
Image Rotation	0°/180° (0° by default)
Resolution	4M (2560 × 1440); 3M (2304 × 1296); 1080p (1920 × 1080); 1.3M (1280 × 960); 720p (1280 × 720)
Frame Rate	Main stream: 2560 × 1440@(1–25/30 fps) Sub stream: 704 × 576@(1–25 fps)/704 × 480@(1–30 fps) *The values above are the max. frame rates of each stream; for multiple streams, the values will be subjected to the total encoding capacity
IR Distance	30 M
IR Control	Auto; Manual
IR Number	1 (Smart LED)
S/N Ratio	>56dB
Motion detection	OFF/ON (4 areas, rectangular)
Noise Reduction	3D NR
Abnormality detection	Motion detection, video tampering, network disconnection, IP conflict, audio detection and illegal access.
Alarm Event	Network disconnection; IP conflict; illegal access; motion detection; video tampering; audio detection; security exception
Privacy Mask	4 areas
Bit Rate Control	CBR/VBR
Bit Rate	H.265: 12 Kbps–6144 Kbps H.264: 32 Kbps–6144 Kbps
Built in Mic	Supported
Audio Compression	G.711a; G.711Mu; G.726; PCM (G.711a by default)
Protocol	IPv4; IPv6; HTTP; TCP; UDP; ARP; RTP; RTSP; RTCP; SMTP; FTP; DHCP; DNS; NTP; Multicast, ONVIF (Profile S/Profile T); CGI; InstaOn Cloud; Genetec
Ethernet	RJ-45 (10/100Base-T)
Cyber Security	Configuration encryption; Trusted execution; Digest; Security logs; HTTPS; Trusted upgrade; WSSE; Trusted boot; Account lockout; Generation and importing of X.509 certification; Video encryption
Storage	FTP
SDK and API	Supported
Mirror Function	Supported
User/Host	6 (Total bandwidth: 24 M)

Feature	Specification
Browser	IE, Chrome, Firefox
Smart Phone	iPhone, iPad, Android Phone
Weatherproof Standard	IP67
Storage Temperature	-40 °C to +60 °C (-40 °F to +140 °F)
Operating Temperature	-40 °C to +60 °C (-40 °F to +140 °F)
Humidity	≤95%
Power Source	12V DC/PoE (802.3af)
Power Consumption	Basic: 1.4 W (12 VDC); 2.2 W (PoE) Max. (ICR + H.265+IR intensity): 3.4 W (12 VDC); 4.4 W (PoE)
Dimension	162.6 mm × 70 mm × 70 mm (6.40" × 2.76" × 2.76") (L × W × H)
Casing	Metal + plastic
Weight	0.22kg

**Dimensions (mm/inch)**



**Company Name:**

CP PLUS (Aditya Infotech Ltd.)

F-28 Okhla Industrial Area, Phase 1,

New Delhi 110020, INDIA

Contact Mail ID :- [customercare@cpplusworld.com](mailto:customercare@cpplusworld.com)

