

# CP-UNC-TD21ZL6C-VMDS

## 2MP IR Bullet Network Camera - 60Mtr.

- 1/2.8" 2MP PS CMOS Image Sensor (0.9071Cm)
- Max. Output 2MP(1920×1080)@50/60fps
- AI Instastream, Instastream, H.265, Smart H.264 encoding
- WDR(120dB), Day/Night (ICR), 3D-DNR, ROI, AWB, AGC, HLC, BLC
- 2.7mm-13.5mm Motorized Lens
- IR Range of 60 Mtrs
- Support Starlight Technology
- IP67, IK10(Optional)
- Built in Mic, Micro SD Card, IP67, IK10(Optional), SMD 3.0
- Abnormality Detection: Motion Detection, Privacy Masking, Scene Changing, Audio Detection, No SD card, SD card full, SD card Error, Network Disconnection, IP Conflict
- Mobile Software: iCMOB, gCMOB
- CMS Software: KVMS Pro



### System Overview

Understanding the need of the hour in the security and surveillance industry, this series has been integrated with the starlight technology along with efficient and powerful deep-learning algorithms to make your life hugely easier. The numerous AI-based smart functions of this camera let you capture a face, protect the perimeter and even count people, greatly improving the accuracy of your video analysis.

This camera also complies with international certification standards such as IP67 and IK10, as this camera is not just dust-proof and water-proof but also shock proof and vandal-proof (which is given in selected models).



# CP-UNC-TD21ZL6C-VMDS

## 2MP IR Bullet Network Camera - 60Mtr.

### Functions

#### Starlight Technology

This camera is widely used to provide sharper and clearer picture quality with the help of its exceptional starlight sensitivity as the camera improves night vision in low light conditions. This technology is useful in conditions with extremely low light as the starlight technology turns almost completely dark images into those of clear colors.

#### Wide Dynamic Range (WDR)

When a scene is partly dark and partly bright, that is the dynamic range that distorts images due to this difference in the lighting. WDR technology provides you balanced lighting for a clear and vivid image throughout the day. WDR technology can be installed at entry/exit points of any building structure, jewellery shops, outdoor location among so many other places.

#### Smart Motion Detection (SMD)

CPPLUS has introduced Smart Motion Detection, AI-based SMD, which use an advanced algorithm to differentiate human and vehicular shapes within a scene and send alarms only when a person or vehicle is detected.

### About CP PLUS

The brand that is on its way to lead the world when it comes to the security and surveillance industry, CP PLUS, keeps bombarding the market with the most reliable range of products that have been designed carefully and methodically to automate the whole surveillance and security process, no matter how big your premises are.

It was the initiative to help the public in the area where they are the most vulnerable and to empower the sense of safety in our hearts that had conceptualized CP PLUS. And embarking on its mission to make the world a safer and more secure place has taken the brand's journey to unprecedented levels even when compared to international competitors.

### Functions

#### True Day/Night (ICR)

When the scene is too dark, the image is captured by illuminating an infrared light through the camera onto the scene that greatly helps with making the scene visible for the lens. It delivers color images during the day and automatically switches to the monochrome feature as the scene darkens.

#### Instastream

This camera has been designed with the latest and most efficient innovation among the standard video compression designs. Smart encoding algorithms developed by CP PLUS help in saving up to 70% more bandwidth than H.265 along with making it more beneficial for minimizing bandwidth and storage costs. It enhances video coding efficiency while providing high resolution and the rate of frame in the video using Intelligent Region Perception to detect motion in each frame.



# CP-UNC-TD21ZL6C-VMDS

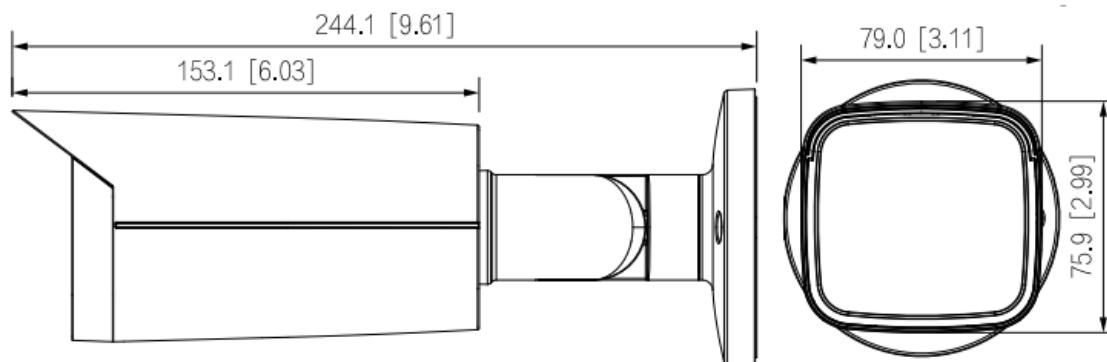
## 2MP IR Bullet Network Camera - 60Mtr.

Feature	Specification
Image Sensor	1/2.8" 2MP PS CMOS Image Sensor (0.9071cm)
Effective Pixels	1920 (H) × 1080 (V)
Minimum Illumination	0.002 lux@F1.5 (Color, 30 IRE) 0.0002 lux@F1.5 (B/W, 30 IRE) 0 lux (IR on)
Shutter Speed	Auto/Manual, 1/3s - 1/100000s
RAM	512MB
ROM	128MB
Max. Aperture	F1.5
Lens Type	Motorized lens
Lens	2.7 mm–13.5 mm
Iris Type	Fixed
Close Focus Distance	0.8m
DORI Distance	W: 44.1m(Detect) 17.6m(Observe) 8.8m(Recognize) 4.4m(Identify) T: 144.8m(Detect) 57.9m(Observe) 28.9m(Recognize) 14.8m(Identify)
White Balance	Auto/ Natural/ Street lamp/ Outdoor/ Manual/ Regional Custom
Back Light Compensation	BLC / HLC / WDR(120dB)
Stream Capability	4 Streams
Video Compression	H.265, Smart H.264+, H.264, H.264H, H.264B, MJPEG (Only supported by the sub stream)
Gain Control AGC)	Auto
Lens Mount	φ14
Encode Strategy	AI Instastream, Instastream
Pan,Tilt, Rotation	Pan: 0°–360°, Tilt: 0°–90°, Rotation: 0°–360°
Angle of View	Horizontal: 109°–30° Vertical: 56° –17° Diagonal: 137° –35°
Face Detection	Face detection; track; snapshot; snapshot optimization; optimal face snapshot upload; face enhancement; face exposure; face snapshot set as face or one-inch photo; 3 snapshot strategies (real-time snapshot, optimization snapshot, and quality priority); face angle filter; optimization time setting

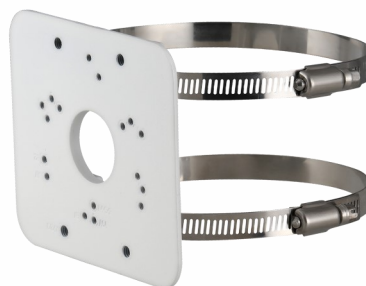
Feature	Specification
Smart Detection	Intrusion, tripwire (support the classification and accurate detection of vehicle and human); face detection
S/N Ratio	>56 dB
Resolution	1080p (1920 × 1080); 1.3M(1280 × 960); 720p (1280 × 720); D1 (704 × 576/704×480); CIF (352 × 288/352 × 240); VGA (640 × 480)
Frame Rate	Main stream: 1920 × 1080 @ (1–50/60) fps Sub stream 1: 704 × 576 @ (1–50 fps)/704 × 480 @ (1–60 fps) Sub stream 2: 1920 × 1080 @ (1–50/60) fps Sub stream 3: 1280 × 720 @ (1–50/60) fps
Noise Reduction	3D NR
Motion detection	OFF/ON (4 areas, rectangular)
Privacy Mask	4 areas
ROI	Supported (4 areas)
ICR	Auto (ICR)/Color/B/W
Audio Compression	G.711a; G.711Mu; PCM; G.726; G.723
Built in Mic	Supported
Audio Input	1Ch. (RCA port)
Audio Output	1Ch. (RCA port)
Alarm IN	1Ch. in: 5mA 3V–5V DC
Alarm Out	1Ch. out: 300mA 12V DC
Bit Rate Control	CBR/VBR
Bit Rate	H.264: 3 kbps–8192 kbps H.265: 3 kbps–8192 kbps
Protocol	IPv4; IPv6; HTTP; TCP; UDP; ARP; RTP; RTSP; RTCP; RTMP; SMTP; FTP; SFTP; DHCP; DNS; DDNS; NTP; Multicast; ICMP; IGMP; ONVIF(profile S, profile G, profile T); CGI; Instaon, Milestone, Genetec
SDK and API	Supported
Ethernet	RJ-45 (10/100Base-T)
Event Trigger	No SD card; SD card full; SD card error; network disconnection; IP conflict; illegal access; motion detection; video tampering; tripwire; intrusion; scene changing, audio detection; voltage detection; defocus detection; external alarm; face detection; SMD; security exception

Feature	Specification
Cyber Security	Video encryption; Firmware encryption; Configuration encryption; Digest; WSSE; Account lockout; Security logs; IP/MAC filtering; Generation and importing of X.509 certification; syslog; HTTPS; 802.1x; Trusted boot; Trusted execution; Trusted upgrade
Image Stabilization	Electronic Image Stabilization (EIS)
Anti-flicker Self-adaption	Supported
Defog	Supported
Scene Self-adaptation (SSA)	Supported
Perimeter Protection	Tripwire, Intrusion (support the classification and accurate detection of vehicle and human)
Image Rotation	0°/90°/180°/270° (support 90°/270° with 1920 × 1080 resolution and lower)
SMD 3.0	Less false alarm, Longer detection distance
IR	IR Range of 60 Mtrs
IR Control	Auto; Manual
IR Number	4 (IR LED)
Mirror Function	Supported
Storage	NAS, FTP, SFTP
Micro SD	Micro SD card (Max. 256GB)
Browser	IE: IE11, Chrome, Firefox
Smart Phone	iPhone, iPad, Android Phone
Weatherproof Standard	IP67, IK10(Optional)
User/Host	20 (Total Bandwidth: 64 M)
Operating Temperature	-30 °C to +60 °C (-22 °F to 140 °F) /Less than 95%
Storage Temperature	-40 °C to +60 °C (-40°F to +140°F)
Power Source	12V DC/PoE(802.3af)
Power Consumption	Basic: 2.3 W (12 VDC); 2.9 W (PoE) Max. (WDR + IR intensity + Intelligence): 6.6 W (12 VDC); 7.7 W (PoE)
Casing	Metal
Dimension	244.1mm × 79.0mm × 75.9mm (L × W × H)
Weight	0.820 g

Dimensions (mm/inch)



Accessories : Optional



**CP-UA-B2P**  
**Pole Mount**

**Company Name:**

CP PLUS (Aditya Infotech Ltd.)

F-28 Okhla Industrial Area, Phase 1,

New Delhi 110020, INDIA

Contact Mail ID :- [customercare@cpplusworld.com](mailto:customercare@cpplusworld.com)