

CP-UNC-TD41L8C-VMDS

4MP WDR Network IR Bullet Camera - 80Mtr.

- 1/3" 4MP PS CMOS Image Sensor (0.84667 cm)
- Instastream/ AI Instastream/ H.265/ H.264 Encoding
- Max. 4MP(2688 × 1520)@25/30fps
- WDR(120dB), Day/Night (ICR), Defog, 3D-NR, ROI, AWB, AGC, BLC, HLC
- IR Range of 80 Mtrs.
- 3.6mm Fixed Lens (6mm, 8mm Optional)
- Support Starlight Technology
- Support Built-in Mic, Micro SD Card, IP67, IK10 (optional), SMD 3.0, PoE
- Mobile Software: iCMOB, gCMOB
- CMS Software: KVMS Pro



System Overview

Understanding the need of the hour in the security and surveillance industry, this series has been integrated with the starlight technology along with efficient and powerful deep-learning algorithms to make your life hugely easier. The numerous AI-based smart functions of this camera let you capture a face, protect the perimeter and even count people, greatly improving the accuracy of your video analysis. This camera also complies with international certification standards such as IP67 and IK10, as this camera is not just dust-proof and water-proof but also shock-proof and vandal-proof (which is given in selected models).

Functions

Starlight Technology

This camera is widely used to provide sharper and clearer picture quality with the help of its exceptional starlight sensitivity as the camera improves night vision in low light conditions. This technology is useful in conditions with extremely low light as the starlight technology turns almost completely dark images into those of clear colors.



CP-UNC-TD41L8C-VMDS

4MP WDR Network IR Bullet Camera - 80Mtr.

Functions

Wide Dynamic Range (WDR)

When a scene is partly dark and partly bright, that is the dynamic range that distorts images due to this difference in the lighting. WDR technology provides you balanced lighting for a clear and vivid image throughout the day. WDR technology can be installed at entry/exit points of any building structure, jewellery shops, outdoor location among so many other places .

Smart Analytical Support

Using an advanced algorithm, smart analytical technology lets you set a multitude of safety parameters and sends you alerts when any of those parameters have been compromised. Not just when there's an occurrence of tripwire or intrusion.

Instastream

This camera has been designed with the latest and most efficient innovation among the standard video compression designs. Smart encoding algorithms developed by CP PLUS help in saving up to 70% more bandwidth than H.265 along with making it more beneficial for minimizing bandwidth and storage costs. It enhances video coding efficiency while providing high resolution and the rate of frame in the video using Intelligent Region Perception to detect motion in each frame.

True Day/Night (ICR)

When the scene is too dark, the image is captured by illuminating an infrared light through the camera onto the scene that greatly helps with making the scene visible for the lens. It delivers color images during the day and automatically switches to the monochrome feature as the scene darkens.

Smart Motion Detection (SMD Plus)

CPPLUS has introduced Smart Motion Detection, AI-based SMD, which use an advanced algorithm to differentiate human and vehicular shapes within a scene and send alarms only when a person or vehicle is detected.

gCMOB/ iCMOB

Designed to allow users to access and control live streaming from CP PLUS IP Cameras, DVRs/ NVRs and Video Door Phones, the CP PLUS gCMOB/ iCMOB application offers a host of features such as Easy GUI, up to 16 live viewing split-ups; InstaOn cloud support; Playback; digital zoom ins; two-way talk, and more.

About CP PLUS

The brand that is on its way to lead the world when it comes to the security and surveillance industry, CP PLUS, keeps bombarding the market with the most reliable range of products that have been designed carefully and methodically to automate the whole surveillance and security process, no matter how big your premises are.

It was the initiative to help the public in the area where they are the most vulnerable and to empower the sense of safety in our hearts that had conceptualized CP PLUS. And embarking on its mission to make the world a safer and more secure place has taken the brand's journey to unprecedented levels even when compared to international competitors.



CP-UNC-TD41L8C-VMDS

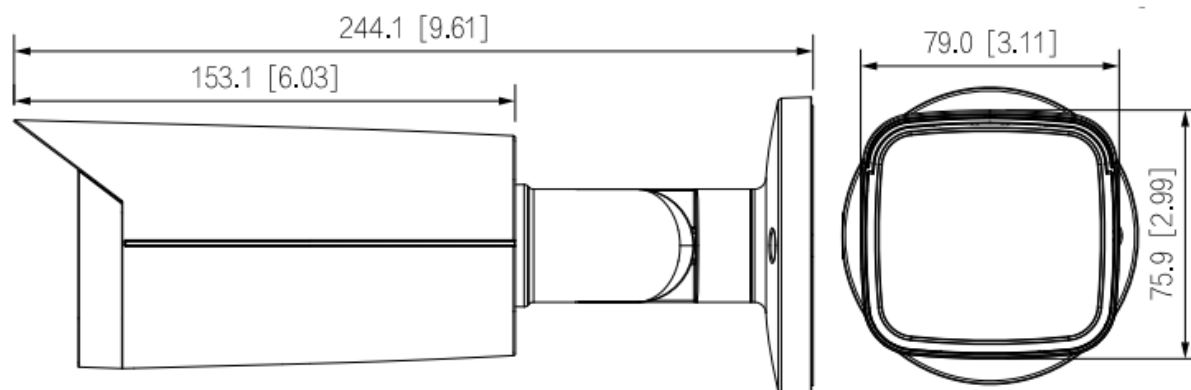
4MP WDR Network IR Bullet Camera - 80Mtr.

Feature	Specification
Image Sensor	1/3" 4MP PS CMOS Image Sensor (0.84667 cm)
Minimum Illumination	0.005 lux@F1.4 (Color, 30 IRE) 0.0005 lux@F1.4 (B/W, 30 IRE) 0 lux (IR on)
Effective Pixels	2688 (H) × 1520 (V)
S/N Ratio	>56dB
RAM & ROM	512MB & 128MB
Shutter Speed	Auto/Manual, 1/3~1/100000s
White Balance	Auto/natural/street lamp/outdoor/manual/regional custom
Lens	3.6mm (6mm, 8mm Optional)
Lens Mount	M12
Max. Aperture	F1.4
Iris Control	Fixed
Close Focus Distance	3.6mm: 1.7 m (5.6ft), 6mm: 3.2 m (10.5 ft), 8mm: 4.7 m (15.4 ft)
ROI	Support (4 areas)
Motion Detection	OFF/ON (4 areas, rectangular)
Image Rotation	0°/90°/180°/270° (support 90°/270° with 2688×1520 resolution and lower)
DORI Distance	3.6mm– 85.4m (Detect) 34.2m (Observe) 17.1m (Recognize) 8.5m (Identify) 6mm– 124.0m (Detect) 49.6m (Observe) 24.8m (Recognize) 12.4m (Identify) 8mm– 150.4m (Detect) 60.2m (Observe) 30.1m (Recognize) 15.0m (Identify)
Gain Control (AGC)	Auto
Video Compression	H.265; H.264; H.264H; H.264B; MJPEG (only supported by the sub stream)
Encode Strategy	Instastream, AI Instastream
Angle of View	3.6mm: Horizontal:84°; vertical: 42°; diagonal: 101° 6mm: Horizontal:52°; vertical: 28° ; diagonal: 61° 8mm: Horizontal:40°; vertical: 23°; diagonal: 46°

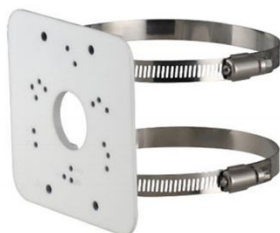
Feature	Specification
Back Light Compensation	BLC / HLC / WDR(120dB)
Resolution	4M (2688 × 1520); 3.6M (2560 × 1440); 3M (2048×1536); 3M (2304×1296); 1080p (1920 × 1080); 1.3M(1280 × 960); 720p (1280 × 720); D1 (704 × 576/704×480); CIF (352 × 288/352 × 240); VGA (640 × 480)
Video Streaming	Main stream: 2688 × 1520 @ (1–25/30)fps Sub stream 1: 704 × 576 @ (1–25fps)/704 × 480 @ (1–30 fps) Sub stream 2: 1920 × 1080 @ (1–25/30fps) Sub stream 3: 1280 × 720 @ (1–25/30fps)
Privacy Mask	4 areas
ICR	Auto (ICR)/Color/B/W
Audio	Built-in Mic
Audio Input	1 channel (RCA port)
Audio Output	1 channel (RCA port)
Audio Compression	G.711a; G.711Mu; PCM; G.726; G.723
Alarm IN	1 channels in: 5mA 3V–5V DC
Alarm Out	1 channels out: 300mA 12V DC
Bit Rate	H.264: 3 Kbps–8192 Kbps H.265: 3 Kbps–8192 Kbps
OTA (Online Device Upgrade)	Support
Cloud Health Monitoring System (HMS)	Support
Protocol	IPv4; IPv6; HTTP;TCP; UDP; ARP; RTP; RTSP; RTCP; RTMP; SMTP; FTP; SFTP; DHCP; DNS; DDNS; QoS; UPnP; NTP; Multicast; ICMP; IGMP; NFS; SAMBA; PPPoE; SNMP; ONVIF (Profile S/Profile G/Profile T); CGI; InstaOn; Milestone; Genetec
Smart Detection	Tripwire, intrusion (support the classification and accurate detection of vehicle and human)
Face Detection	Face detection; track; snapshot; snapshot optimization; optimal face snapshot upload; face enhancement; face exposure; face snapshot set as face or one-inch photo; 3 snapshot strategies (real-time snapshot, optimization snapshot, and quality priority); face angle filter; optimization time setting
Scene Self-adaptation (SSA)	Support
SMD 3.0	Less false alarm, longer detection distance
Anti-flicker Self-adaption (AFSA)	Support

Feature	Specification
SDK and API	Support
Intelligent Search	Work together with Smart NVR to perform refine intelligent search, event extraction and merging to event videos
Cyber Security	Video encryption; Firmware encryption; Configuration encryption; Digest; WSSE; Account lock-out; Security logs; IP/MAC filtering; Generation and importing of X.509 certification; syslog; HTTPS; 802.1x; Trusted boot; Trusted execution; Trusted upgrade
Mirror	Support
Ethernet	RJ-45 (10/100Base-T)
Alarm Event	No SD card, SD card full, SD card error, network disconnection, IP conflict, illegal access, motion detection, video tampering, tripwire, intrusion, scene changing, audio detection, voltage detection, external alarm, face detection, SMD and security exception
User/Host	20 (Total bandwidth: 64 M)
Smart Phone	iPhone, iPad, Android Phone
IR	IR Range of 80 Mtr.
IR Number	4 (IR LED)
IR On/Off Control	Auto/Manual
Storage	FTP; SFTP; Micro SD card (support max. 256GB); NAS
Browser	IE: IE11, Chrome, Firefox
Operating Temperature	-40°C to +60°C (-40°F to 140°F)
Storage Temperature	-40°C to +60°C (-40°F to +140°F)
Operating Humidity	Less than 95% RH
Power Source	12 VDC/PoE (802.3af)
Power Consumption	Basic: 2.8 W (12 VDC); 3.5 W (PoE) Max. (WDR + IR intensity + Intelligence): 7.1 W (12 VDC); 8.3 W (PoE)
Weatherproof Standard	IP67, IK10 (optional)
Casing	Metal
Dimension	244.1 mm × 79.0 mm × 75.9 mm (9.6" × 3.1" × 3.0") (L × W × H)
Weight	820g

Dimensions (mm/inch)



Accessories : Optional



CP-UA-B2P
Pole Mount

Company Name:

CP PLUS (Aditya Infotech Ltd.)
F-28 Okhla Industrial Area, Phase 1,
New Delhi 110020, INDIA

Contact Mail ID :- customercare@cpplusworld.com