

CP-UNC-TE51L8E-VMDS

5MP WDR IR Network Bullet Camera - 80Mtr.

- 1/2.7" 5MP PS CMOS Image Sensor (0.9407 centimeters)
- 20fps@2592 × 1944, 50/60fps@1080P (1920 × 1080)
- Instastream, H.265 and H.264+ Triple Stream Encoding
- WDR(120dB), Day/Night (ICR), Defog, 3D-DNR, AWB, AGC, BLC, HLC
- 3.6mm fixed lens (2.8mm, 6mm, 8mm, 12mm optional)
- Support Starlight Technology
- IR Range of 80 Mtrs, Micro SD Card, IP67, IK10, ePoE, PoE
- Mobile Software: iCMOB, gCMOB
- CMS Software: KVMS Pro



System Overview

Understanding the need of the hour in the security and surveillance industry, this series has been integrated with the starlight technology along with efficient and powerful deep-learning algorithms to make your life hugely easier. The numerous AI-based smart functions of this camera let you capture a face, protect the perimeter and even count people, greatly improving the accuracy of your video analysis. This camera also complies with international certification standards such as IP67 and IK10, as this camera is not just dust-proof and water-proof but also shock-proof and vandal-proof (which is given in selected models).

Functions

Face Detection

With the help of the deep learning algorithm that is used in this technology, people can easily be detected, tracked, recorded, and captured. It takes only a second to detect one human face. Face detection is useful in cameras to help with auto-focus. This technology is mainly used to identify the presence of a human face.



CP-UNC-TE51L8E-VMDS

5MP WDR IR Network Bullet Camera - 80Mtr.

Functions

Wide Dynamic Range (WDR)

When a scene is partly dark and partly bright, that is the dynamic range that distorts images due to this difference in the lighting. WDR technology provides you balanced lighting for a clear and vivid image throughout the day. WDR technology can be installed at entry/exit points of any building structure, jewellery shops, outdoor location among so many other places.

Health Monitoring System (HMS)

The Health Monitoring System by CP PLUS provides a real-time health status of your surveillance devices as it enables instant reporting of live incidents and reduces system down-time since issues are detected and rectified at the onset and provides daily system support as well as live status web page view.

Smart Analytical Support

Using an advanced algorithm, smart analytical technology lets you set a multitude of safety parameters and sends you alerts when any of those parameters have been compromised. Not just when there's an occurrence of tripwire or intrusion, but also in the cases of missing or abandoned objects.

Instastream

This camera has been designed with the latest and most efficient innovation among the standard video compression designs. Smart encoding algorithms developed by CP PLUS help in saving up to 70% more bandwidth than H.265 along with making it more beneficial for minimizing bandwidth and storage costs. It enhances video coding efficiency while providing high resolution and the rate of frame in the video using Intelligent Region Perception to detect motion in each frame.

OTA (Over the Air) Upgrade - Online Upgrade

OTA update is the online, wireless upgrade function to enable devices to download patches/new updates with a simple click to upgrade internet-connected devices with the latest version. This function helps users to upgrade devices from anywhere and saves the time of moving to the site physically for the upgrade, making the whole process easier for everyone involved.

gCMOB/ iCMOB

Designed to allow users to access and control live streaming from CP PLUS IP Cameras, DVRs/ NVRs and Video Door Phones, the CP PLUS gCMOB/ iCMOB application offers a host of features such as Easy GUI, up to 16 live viewing split-ups; InstaOn cloud support; Playback; digital zoom ins; two-way talk, and more.

About CP PLUS

The brand that is on its way to lead the world when it comes to the security and surveillance industry, CP PLUS, keeps bombarding the market with the most reliable range of products that have been designed carefully and methodically to automate the whole surveillance and security process, no matter how big your premises are.

It was the initiative to help the public in the area where they are the most vulnerable and to empower the sense of safety in our hearts that had conceptualized CP PLUS. And embarking on its mission to make the world a safer and more secure place has taken the brand's journey to unprecedented levels even when compared to international competitors.



CP-UNC-TE51L8E-VMDS

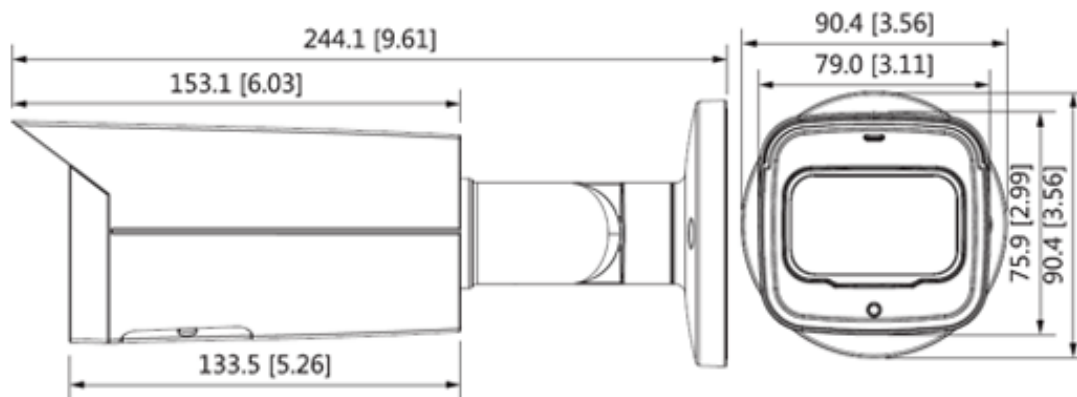
5MP WDR IR Network Bullet Camera - 80Mtr.

Feature	Specification
Image Sensor	1/2.7" 5Megapixel progressive scan CMOS (0.9407cm)
Minimum Illumination	0.005 Lux@F1.6
Shutter Speed	Auto/Manual, 1/3 s–1/100000 s
Max. Resolution	2592 (H) × 1944 (V)
RAM/ROM	512 MB/128 MB
White Balance	Auto/Natural/Street Lamp/Outdoor/Manual
Lens	3.6mm (2.8mm, 6mm, 8mm, 12mm Optional)
Close Focus Distance	0.9 m (2.95 ft)/1.6 m (5.25 ft)/3.1 m (10.17 ft)/4.5 m (14.73 ft)/10.3 m (33.79 ft)
Aperture Type	Fixed
Mount Type	Board-in
Max. Aperture	F1.6 (2.8 mm–8.0 mm), F2.0 (12.0 mm)
Lens Type	Fixed-Focal
DORI Distance	2.8mm- 56m (Detect) 22m (Observe) 11m (Recognize) 6m (Identify) 3.6mm- 80m(Detect) 32m (Observe) 16m (Recognize) 8m (Identify) 6mm- 120m(Detect) 48m (Observe) 24m (Recognize) 12m (Identify) 8mm- 160m(Detect) 64m (Observe) 32m (Recognize) 16m (Identify) 12mm- 240m(Detect) 96m (Observe) 48m (Recognize) 24m (Identify)
Gain Control (AGC)	Auto/Manual
Video Compression	H.265, Smart H.264+, H.264, H.264B, H.264H, MJPEG (only supported by sub stream)
Encode Strategy	Instastream
S/N Ratio	>56dB
Back Light Compensation	BLC/ HLC/ WDR(120dB)
Angle of View	H: 102°, V: 71°/H: 84°, V: 58°/H: 51°, V: 37°/ H: 38°, V:28°/H: 25°, V:18°
Video Streaming	Main Stream: 2592 × 1944 (1 fps–20 fps) 2560 × 1440 (1 fps–25/30 fps) 1920 × 1080 (1 fps–50/60 fps) Sub Stream: D1 (1 fps–20/30 fps) D1 (1 fps–50 fps) Third Stream: 1080P (1 fps–17 fps)

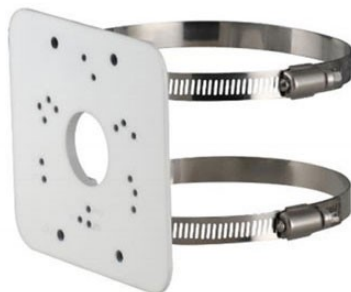
Feature	Specification
Resolution	2592 × 1944/2688 × 1520/2560 × 1440/2304 × 1296/1080P (1920 × 1080)/1.3M (1280 × 960)/720P (1280 × 720)/D1 (704 × 576/704 × 480)/VGA (640 × 480)/CIF (352 × 288/352 × 240)
Motion detection	Off/On (4 Zone, Rectangle)
Privacy Mask	Off/On (4 Area, Rectangle)
ROI	Off/On (4 Zone)
ICR	Auto (ICR)/Color/B/W
Mirror	Off/On
Flip	0°/90°/180°/270°
Defog	Yes
Bit Rate	H.264: 32 Kbps–8192 Kbps ; H.265: 19 Kbps–8192 Kbps
Audio Compression	G.711a, G.711Mu, G.726, AAC, G.723
Audio Input	1 Channel
Audio Output	1 Channel
Alarm Input	1 channel In: 5mA 5V DC
Alarm Output	1 channel Out: 300mA 12V DC
Protocol	IPv4; IPv6; HTTP; HTTPS; TCP; UDP; ARP; RTP; RTSP; RTCP; RTMP; SMTP; FTP; SFTP; DHCP; DNS; DDNS; QoS; UPnP; NTP; Multicast; ICMP; IGMP; NFS; PPPoE; 802.1x; SNMP; ONVIF (Profile S/Profile G/Profile T), CGI, Milestone, Genetec, InstaOn cloud
Smart Detection	Object Abandoned/Missing, Heat Map
Face Detection	Face detection; track; optimization; snapshot; face enhancement; face exposure; face matting setting; face, single inch photo; three snapshot methods: real-time snapshot, optimization snapshot, quality priority; face angle filter; optimization time setting
Event Trigger	Motion detection, Video tampering , Scene changing, Network disconnection , IP address conflict, Illegal Access, Storage anomaly
Alarm Event	No SD card; SD card full; SD card error; network disconnection; IP conflict; illegal access; motion detection; video tampering; Defocus Detection; scene changing; intrusion; tripwire; abandoned object; missing object; fast moving; parking detection; loitering detection; people gathering; audio detection; people counting; face detection; People counting in area; Stay alarm; People No. exception detection; Queue Management

Feature	Specification
Perimeter Protection	Tripwire; intrusion; fast moving (the three functions support the classification and accurate detection of vehicle and human); loitering detection; people gathering; parking detection
People Counting	Support the counting of enter number, leave number, and pass number, and displaying and outputting yearly/monthly/daily reports. Support the counting of number in area, and 4 rules configuration. Count number of people or stay time and link alarm. Support queue management, and 4 rules configuration. Count number of people or stay time and link alarm
Ethernet	RJ-45 (10/100Base-T)
SDK and API	Yes
OTA (Online Device Upgrade)	Support
Cloud Health Monitoring System (HMS)	Support
User/ Host	20 Users
IR	IR Range of 80 Mtr., Smart IR
IR Number	4(IR LED)
Smart Phone	iPhone, iPad, Android Phone
Micro SD	NAS; FTP; SFTP; Micro SD card 512GB
Browser	IE (versions newer than IE8), Chrome, Firefox, Safari (versions newer than Safari 12)
Operating Temperature	-40°C to +60°C (-40°F to +140°F)/Less than 95% RH
Storage Temperature	-40°C to +60°C (-40°F to +140°F)
Power Source	DC 12V (±30%), PoE (802.3af), ePoE
Power Consumption	<9.5W
Weatherproof Standard	IP67 & IK10
Casing	Metal
Dimension	244.1 mm × 79.0 mm × 75.9 mm (9.61" × 3.11" × 2.99")
Weight	0.815kg

Dimensions (mm/inch)



Accessories : Optional



CP-UA-B2P

Pole Mount

Company Name:

CP PLUS (Aditya Infotech Ltd.)

F-28 Okhla Industrial Area, Phase 1,

New Delhi 110020, INDIA

Contact Mail ID :- customercare@cpplusworld.com