

CP-UNC-TE51ZL6T-VMDS

5MP WDR Network Bullet Camera

- 1/2.7" 5Megapixel Progressive scan CMOS (0.9407cm)
- Max. 5MP (2960×1668)@25/30fps
- AI Instream, Instream, H.265 and H.264+ Quad-stream encoding
- WDR(120dB), Day/Night (ICR), 3D-NR, Defog, EIS, AWB, AGC, BLC, HLC
- 2.7mm–13.5mm Motorized Lens
- Support Micro SD Card, IR Range of 60Mtr., IP67 & IK10, PoE, ePoE
- With deep learning algorithm, it supports: video metadata, smart sound detection, IVS, face detection, smart object detection, and people counting, etc
- 2/1 Alarm in/out, 1/1 audio in/out, SMD 3.0, Built-in Mic
- Support Starlight Technology
- Mobile Software: iCMOB, gCMOB
- CMS Software: KVMS Pro



System Overview

Understanding the need of the hour in the security and surveillance industry, this series has been integrated with the starlight technology along with efficient and powerful deep-learning algorithms to make your life hugely easier. The numerous AI-based smart functions of this camera let you capture a face, protect the perimeter and even count people, greatly improving the accuracy of your video analysis. This camera also complies with international certification standards such as IP67 and IK10, as this camera is not just dust-proof and water-proof but also shock-proof and vandal-proof (which is given in selected models).

Functions

Wide Dynamic Range (WDR)

When a scene is partly dark and partly bright, that is the dynamic range that distorts images due to this difference in the lighting. WDR technology provides you balanced lighting for a clear and vivid image throughout the day. WDR technology can be installed at entry/exit points of any building structure, jewellery shops, outdoor location among so many other places.



CP-UNC-TE51ZL6T-VMDS

5MP WDR Network Bullet Camera

Functions

Smart Analytical Support

Using an advanced algorithm, smart analytical technology lets you set a multitude of safety parameters and sends you alerts when any of those parameters have been compromised. Not just when there's an occurrence of tripwire or intrusion, but also in the cases of missing or abandoned objects.

Instastream

This camera has been designed with the latest and most efficient innovation among the standard video compression designs. Smart encoding algorithms developed by CP PLUS help in saving up to 70% more bandwidth than H.265 along with making it more beneficial for minimizing bandwidth and storage costs. It enhances video coding efficiency while providing high resolution and the rate of frame in the video using Intelligent Region Perception to detect motion in each frame.

True Day/Night (ICR)

When the scene is too dark, the image is captured by illuminating an infrared light through the camera onto the scene that greatly helps with making the scene visible for the lens. It delivers color images during the day and automatically switches to the monochrome feature as the scene darkens.

Face Detection

With the help of the deep learning algorithm that is used in this technology, people can easily be detected, tracked, recorded, and captured. It takes only a second to detect one human face. This facial recognition technology uses biometrics to map facial features from a photograph or video and compares the information with a database of known faces to find a match.

Regions of Interest

Regions of Interest (ROI) is a user defined feature that allows the operator to monitor specific areas of a scene while still maintaining overall situational awareness of less important areas.

gCMOB/ iCMOB

Designed to allow users to access and control live streaming from CP PLUS IP Cameras, DVRs/ NVRs and Video Door Phones, the CP PLUS gCMOB/ iCMOB application offers a host of features such as Easy GUI, up to 16 live viewing split-ups; InstaOn cloud support; Playback; digital zoom ins; two-way talk, and more.

About CP PLUS

The brand that is on its way to lead the world when it comes to the security and surveillance industry, CP PLUS, keeps bombarding the market with the most reliable range of products that have been designed carefully and methodically to automate the whole surveillance and security process, no matter how big your premises are.

It was the initiative to help the public in the area where they are the most vulnerable and to empower the sense of safety in our hearts that had conceptualized CP PLUS. And embarking on its mission to make the world a safer and more secure place has taken the brand's journey to unprecedented levels even when compared to international competitors.



CP-UNC-TE51ZL6T-VMDS

5MP WDR Network Bullet Camera

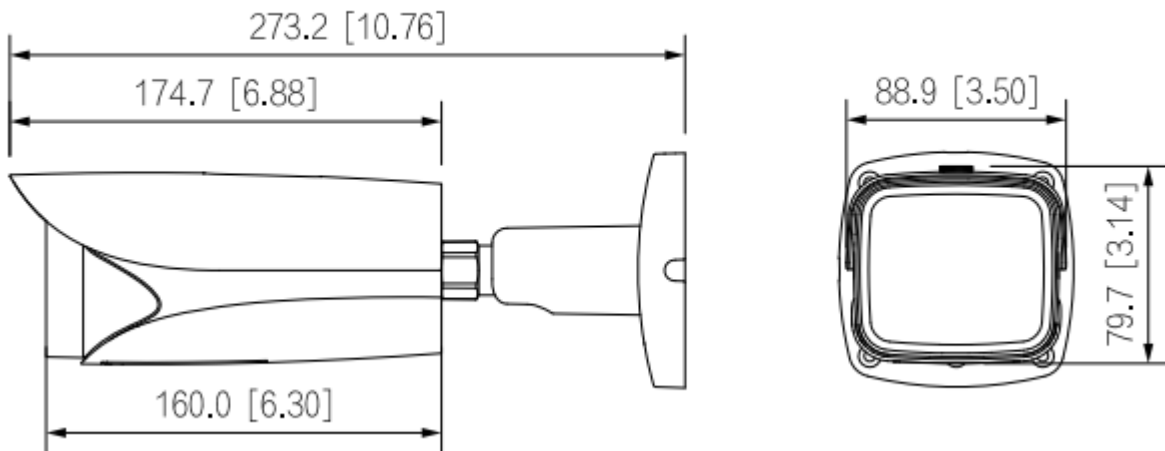
Feature	Specification
Image Sensor	1/2.7" 5Megapixel Progressive scan CMOS (0.9407cm)
Minimum Illumination	0.0009 lux@F1.5(Color, 30 IRE) 0.0005 lux@F1.5(B/W, 30 IRE) 0 lux (IR on)
Effective Pixels	2960 (H) × 1668 (V)
Shutter Speed	Auto/Manual 1/3 s–1/100,000 s
White Balance	Auto/Natural/Street Lamp/Outdoor/Manual/ Regional custom
Lens	2.7mm~13.5mm Motorized
Gain Control (AGC)	Auto/Manual
Video Compression	H.265; H.264; H.264H; H.264B; MJPEG (Only supported by the sub stream)
Encode Strategy	AI Instastream, Instastream
S/N Ratio	> 56 dB
RAM & ROM	1GB & 4GB
Lens Mount	φ14
Max. Aperture	F1.5
Angle of View	H: 114°–32°; V: 58°–17°; D: 138°–36°
Close Focus Distance	0.8 m
Iris Control	Auto
DORI Distance	W: 64.0m (Detect) 25.6m (Observe) 12.8m (Recognize) 6.4 (Identify) T: 210.0m (Detect) 84.0m (Observe) 42.0m (Recognize) 21.0 (Identify)
Back Light Compensation	BLC/ HLC/ WDR(120dB)
Video Streaming	Main stream: 2960 × 1668@(1–25/30 fps) Sub stream: D1@(1–25/30 fps) Third stream: 1080p@(1–25/30 fps) Fourth stream: 720p@(1–25/30 fps) *The values above are the max. frame rates of each stream; for multiple streams, the values will be subjected to the total encoding capacity.
Resolution	5M (2960 × 1668); 5M (2880 × 1620); 4M (2688 × 1520); 3.6M (2560 × 1440); 3M (2048 × 1536); 3M (2304 × 1296); 1080p (1920 × 1080); 1.3M (1280 × 960); 720p (1280 × 720); D1 (704 × 576/704 × 480); VGA (640 × 480); CIF (352 × 288/352 × 240)
Motion detection	Off/On (4 areas, Rectangle)

Feature	Specification
Privacy Mask	8 areas
ICR	Auto (ICR)/Color/B/W
ROI	Support (4 areas)
Audio Compression	G.711a; G.711Mu; PCM; G.726; G.723
Audio Input	1 channel (RCA port)
Audio Output	1 channel (RCA port)
Audio	Built-in Mic
Alarm IN	2 channels in: wet contact, 5mA 3V–5V DC
Alarm Out	1 channel out: wet contact, 300mA 12V DC
Scene Self-adaptation (SSA)	Support
Video Bit Rate	H.264: 32 kbps–16384 kbps; H.265: 12 kbps–11776 kbps
People Counting	Tripwire people counting, generating and exporting report (day/week/month/year); people counting in area and queue management; generating and exporting report (day/week/month); 4 rules can be set for tripwire, people counting in area and queue management.
Face Detection	Face detection; track; snapshot; snapshot optimization; optimal face snapshot upload; face enhancement; face exposure; face attributes extraction including 6 attributes and 8 expressions; face snapshot set as face, one-inch photo or custom; snapshot strategies (real-time snapshot, quality priority and optimization snapshot); face angle filter; optimization time setting.
Perimeter Protection	Intrusion, tripwire, fast moving (the three functions support the classification and accurate detection of vehicle and human); loitering detection, people gathering, and parking detection
Video Metadata	Motor vehicle, non-motor vehicle, face, human body detection; track; snapshot; snapshot optimization; optimal face snapshot upload. Motor vehicle attributes: vehicle type, vehicle color, vehicle logo and other attributes : seatbelt, smoking, calling. Non-motor vehicle attributes: type, color, number of people, top type and color, hat. Human body attributes: gender, top/bottom type and color, bag, hat and umbrella. Face attributes: gender, age, expressions, glasses, face mask and beard
Alarm Event	No SD card; SD card full; SD card error; network disconnection; IP conflict; illegal access; motion detection; video tampering; tripwire; intrusion; fast moving; abandoned object; missing object; loitering detection; people gathering; parking detection; scene changing; audio detection; external alarm; face detection; video metadata; SMD; people counting in area; stay detection; people counting; people number error detection; queue people number alarm; queue time alarm; security exception; defocus detection

Feature	Specification
Heat Map	Support
AI SSA	Support
Smart Object Detection	Smart abandoned object; smart missing object
SMD 3.0	Less false alarm, longer detection distance
Smart Search	Work together with Smart NVR to perform refine intelligent search, event extraction and merging to event videos
Smart Sound Detection	Support
Image Stabilization	Electronic Image Stabilization (EIS)
Protocol	IPv4; IPv6; HTTP; TCP; UDP; ARP; RTP; RTSP; RTCP; RTMP; SMTP; FTP; SFTP; DHCP; DNS; DDNS; QoS; UPnP; NTP; SNTP; HTTPS; TLS; 802.1x; AES Encryption; Multicast; ICMP; IGMP; NFS; SAMBA; PPPoE; SNMP; InstaOn cloud, ONVIF (Profile S/Profile G/Profile T), CGI
Cyber Security	Configuration encryption; trusted execution; Digest; security logs; WSSE; account lockout; syslog; video encryption; 802.1x; IP/MAC filtering; HTTPS; trusted upgrade; trusted boot; firm-ware encryption; generation and importing of X.509 certification
IR Range	IR Range of 60Mtr.
IR Number	4 (IR LED)
Ethernet	RJ-45 (10/100 Enhancement Base-T)
User/Host	20 (Total bandwidth: 80 MB)
SDK and API	Support
Image Rotation	0°/90°/180°/270° (Support 90°/270° with 4M (2688 × 1520) resolution and lower)
Smart Phone	iPhone, iPad, Android Phone
Mirror	Support
Storage	FTP; SFTP; Micro SD card (support max. 512GB); NAS
Browser	IE: IE 9 and later Chrome: Chrome 102 and later Firefox: Firefox 88 and later
Operating Temperature	-30°C to +60°C (-22°F to +140°F)
Operating Humidity	≤95%
Storage Temperature	-40 °C to +60 °C (-40 °F to +140 °F)

Feature	Specification
Storage Humidity	10%–95% (RH), non-condensing
Power Source	12 VDC/PoE (802.3af)/ePoE
Power Consumption	Basic: 3.6 W (12 VDC); 4.7 W (PoE) Max. (H.265+ WDR+ Intelligence on+IR on): 10.4 W (12 VDC); 13.0 W (PoE)
Weatherproof Standard	IP67 & IK10
Dimension	273.2 mm × 95.0 mm × 95.0 mm (10.76" × 3.74" × 3.74") (L × W × H)
Casing	Metal
Weight	1.13 kg

Dimensions (mm/inch)



Company Name:

CP PLUS (Aditya Infotech Ltd.)

F-28 Okhla Industrial Area, Phase 1,

New Delhi - 110020, INDIA

Contact Mail ID :- customercare@cpplusworld.com

