

CP-UNC-VD21ZL4C-VMDS

2MP Full HD Network IR Vandal Dome Camera - 40Mtr.

- 1/2.8" 2MP PS CMOS Image Sensor(0.9071Cm)
- Max. Outputs 2 MP (1920 × 1080) @50/60 fps.
- AI Instastream, Instastream, H.265, H.264 encoding
- WDR(120dB), Day/Night(ICR), 3D-DNR, ROI, AWB, AGC, BLC, HLC
- 2.7mm ~13.5mm Motorized lens
- IR Range of 40 Mtrs
- Support Starlight Technology
- Built in Mic, Micro SD, IP67, IK10, SMD 3.0
- Mobile Software: iCMOB, gCMOB
- CMS Software: KVMS Pro



System Overview

Understanding the need of the hour in the security and surveillance industry, this series has been integrated with the starlight technology along with efficient and powerful deep-learning algorithms to make your life hugely easier. The numerous AI-based smart functions of this camera let you capture a face, protect the perimeter and even count people, greatly improving the accuracy of your video analysis.

This camera also complies with international certification standards such as IP67 and IK10, as this camera is not just dust-proof and water-proof but also shock proof and vandal-proof (which is given in selected models).



CP-UNC-VD21ZL4C-VMDS

2MP Full HD Network IR Vandal Dome Camera - 40Mtr.

Functions

Starlight Technology

This camera is widely used to provide sharper and clearer picture quality with the help of its exceptional starlight sensitivity as the camera improves night vision in low light conditions. This technology is useful in conditions with extremely low light as the starlight technology turns almost completely dark images into those of clear colors.

Smart Motion Detection

CPPLUS has introduced Smart Motion Detection, AI-based SMD, which use an advanced algorithm to differentiate human and vehicular shapes within a scene and send alarms only when a person or vehicle is detected.

Smart Analytical Support

Using an advanced algorithm, smart analytical technology lets you set a multitude of safety parameters and sends you alerts when any of those parameters have been compromised. Not just when there's an occurrence of tripwire or intrusion.

Wide Dynamic Range (WDR)

When a scene is partly dark and partly bright, that is the dynamic range that distorts images due to this difference in the lighting. WDR technology provides you balanced lighting for a clear and vivid image throughout the day. WDR technology can be installed at entry/exit points of any building structure, jewelry shops, outdoor location among so many other place.

IK10 Technology

This product has been inculcated with the IK10 vandal resistance technology which is the topmost mechanical protection in the surveillance industry. This technology enables your camera in developing a strong and robust appearance that can't be defeated by water, dust or even severe shocks as the powerful housing of this camera deters any damage from occurring.

About CP PLUS

The brand that is on its way to lead the world when it comes to the security and surveillance industry, CP PLUS, keeps bombarding the market with the most reliable range of products that have been designed carefully and methodically to automate the whole surveillance and security process, no matter how big your premises are.

It was the initiative to help the public in the area where they are the most vulnerable and to empower the sense of safety in our hearts that had conceptualized CP PLUS. And embarking on its mission to make the world a safer and more secure place has taken the brand's journey to unprecedented levels even when compared to international competitors.



CP-UNC-VD21ZL4C-VMDS

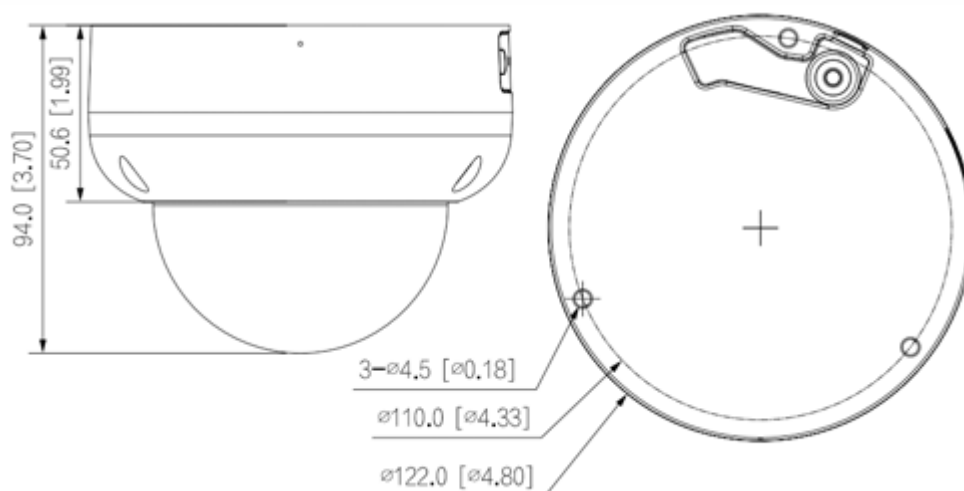
2MP Full HD Network IR Vandal Dome Camera - 40Mtr.

Feature	Specification
Image Sensor	1/2.8" 2MP PS CMOS Image Sensor(0.9071Cm)
Effective Pixels	1920 (H) × 1080 (V)
Minimum Illumination	0.002 lux@F1.5 (Color, 30 IRE) 0.0002 lux@F1.5 (B/W, 30 IRE) 0 lux (Illuminator on)
Shutter Speed	Auto/Manual, 1/3~1/100000s
ROM	128MB
RAM	512MB
Max. Aperture	F1.5
Lens	2.7mm~13.5mm Lens
Lens Mount	φ14
Lens Type	Motorized
Iris Type	Fixed
Gain Control (AGC)	Auto/Manual
Close Focus Distance	0.8 m (2.62 ft)
DORI Distance	W: 44.1.0m(Detect) 17.6m(Observe) 8.8m(Recognize) 4.4m(Identify) T: 144.8m(Detect) 57.9m(Observe) 28.9m(Recognize) 14.8m(Identity)
White Balance	Auto; natural; street lamp; outdoor; manual; regional custom
Back Light Compensation	BLC / HLC / WDR(120dB)
Video Compression	H.265;Smart H.264+, H.264; H.264H; H.264B; MJPEG (only supported by the sub stream)
Encode Strategy	Instastream, AI Instastream
stream Capability	4 Streams
Pan,Tilt, Rotation	Pan: 0°-355°; Tilt: 0°-80°; Rotation: 0°-355°
Angle of View	Horizontal: 109°-30° Vertical: 56° -17° Diagonal: 137° -35°

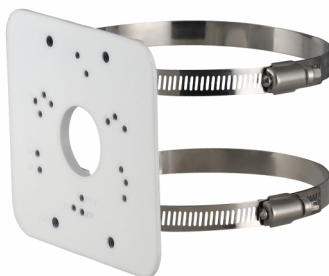
Feature	Specification
Smart Search	Work together with Smart NVR to perform refine intelligent search, event extraction and merging to event videos
S/N Ratio	>56 dB
Resolution	1080p (1920 × 1080); 1.3M (1280 × 960); 720p (1280 × 720); D1 (704 × 576/704 × 480); CIF (352 × 288/352 × 240); VGA (640 × 480)
Frame Rate	Main stream: 1920 × 1080 @ (1–50/60) fps Sub stream 1: 704 × 576 @ (1–50 fps)/704 × 480@(1–60 fps) Sub stream 2: 1920 × 1080 @ (1–50/60) fps Sub stream 3: 1280 × 720 @ (1–50/60) fps
Noise Reduction	3D NR
Motion detection	Off / On (4 Zone, Rectangle)
Face Detection	Face detection; track; snapshot; snapshot optimization; optimal face snapshot upload; face enhancement; face exposure; face snapshot set as face or one-inch photo; 3 snapshot strategies (real-time snapshot, optimization snapshot, and quality priority); face angle filter; optimization time setting
Privacy Mask	4 Area
ICR	Auto(ICR)/Color/B/W
ROI	Supported (4 Zone)
Anti-flicker Self-adaption	Supported
Defog	Supported
Scene Self-adaptation (SSA)	Supported
SDK and API	Supported
Image Stabilization	Electronic Image Stabilization (EIS)
Built in Mic	Supported
Audio Input	1 Ch. (RCA port)
Audio Output	1 Ch. (RCA port)
Audio Compression	G.711a; G.711Mu; PCM; G.726; G.723
Alarm IN	1Ch. In: 5mA 5VDC
Alarm Out	1Ch. Out: 300mA 12VDC
Bit Rate	H.264: 3 kbps–8192 kbps H.265: 3 kbps–8192 kbps
Bit Rate Control	CBR/VBR

Feature	Specification
Protocol	IPv4; IPv6; HTTP;TCP; UDP; ARP; RTP; RTSP; RTCP; RTMP; SMTP; FTP; SFTP; DHCP; DNS; DDNS; QoS; UPnP; NTP; Multicast; ICMP; IGMP; NFS; SAMBA; PPPoE; SNMP, InstaOn Cloud, ONVIF (Profile- S,G,T), PSIA, CGI, Milestone, Genetec
Ethernet	RJ-45 (10/100Base-T)
Event Trigger	No SD card; SD card full; SD card error; network disconnection; IP conflict; illegal access; motion detection; video tampering; tripwire; intrusion; scene changing; audio detection; voltage detection; defocus detection; external alarm; face detection; SMD; security exception
Cyber Security	Video encryption; Firmware encryption; Configuration encryption; Digest; WSSE; Account lock-out; Security logs; IP/MAC filtering; Generation and importing of X.509 certification; syslog; HTTPS; 802.1x; Trusted boot; Trusted execution; Trusted upgrade
Perimeter Protection	Tripwire, intrusion (support the classification and accurate detection of vehicle and human)
Image Rotation	0°/90°/180°/270° (support 90°/270° with 2688 × 1520 resolution and lower)
SMD 3.0	Less false alarm, longer detection distance
IR	IR Range of 40 Mtrs.
IR Control	Auto/Manual
IR Number	3 (IR LED)
Mirror Function	Supported
Storage	FTP; SFTP; NAS
Micro SD	Mirco SD card 256GB
User/Host	20 users(Total B/W- 64M)
Browser	IE: IE11, Chrome, Firefox
Smart Phone	IOS, Android
Weatherproof Standard	IP67 & IK10
Operating Temperature	-30° C ~ +60° C (-22° F ~ +140° F) / Less than 95% RH
Storage Temperature	-40° C to +60° C (-40° F to 140° F)
Power Source	DC12V, PoE (802.3af)
Power Consumption	Basic: 2.3 W (12 VDC); 2.9 W (PoE) Max. (WDR + IR intensity + Intelligence): 6.6 W (12 VDC); 7.7 W (PoE)
Casing	Metal
Dimension	94 mm × Φ122 mm (3.7" × Φ4.8")
Weight	0.713g

Dimensions (mm/inch)



Accessories: Optional



CP-UA-B2P
Pole Mount

Company Name:

CP PLUS (Aditya Infotech Ltd.)
F-28 Okhla Industrial Area, Phase 1,
New Delhi 110020, INDIA

Contact Mail ID :- customercare@cpplusworld.com