

CP-UNC-VG121ZL4-VM

12MP AI IR Network Vandal Dome Camera

- 1/1.7" 12MP PS CMOS Image Sensor (1.494cm)
- Max. outputs 12MP(4000 × 3000)@25/30fps
- Instastream/H.265/Smart H.264+/H.264 coding
- Five streams for three-channel HD video
- DWDR, Day/Night (ICR), 3D-DNR, Defog, ROI, AWB, AGC, BLC, HLC
- 2.7mm ~ 12mm Motorized lens
- IR Range of 40Mtrs, IP67, IK10, Micro SD Card, ePoE, PoE+
- Perimeter Protection, Face Detection, Video Metadata, People Counting, Queue Management
- Mobile Software: iCMOB, gCMOB
- CMS Software: KVMS Pro



System Overview

Understanding the need of the hour in the security and surveillance industry, this series has been integrated with the starlight technology along with efficient and powerful deep-learning algorithms to make your life hugely easier. The numerous AI-based smart functions of this camera let you capture a face, protect the perimeter and even count people, greatly improving the accuracy of your video analysis. This camera also complies with international certification standards such as IP67 and IK10, as this camera is not just dust-proof and water-proof but also shock-proof and vandal-proof (which is given in selected models).

Functions

Face Detection

With the help of the deep learning algorithm that is used in this technology, people can easily be detected, tracked, recorded, and captured. It takes only a second to detect one human face. Face detection is useful in cameras to help with auto-focus. This technology is mainly used to identify the presence of a human face.



CP-UNC-VG121ZL4-VM

12MP AI IR Network Vandal Dome Camera

Functions

Smart Analytical Support

Using an advanced algorithm, smart analytical technology lets you set a multitude of safety parameters and sends you alerts when any of those parameters have been compromised. Not just when there's an occurrence of tripwire or intrusion, but also in the cases of missing or abandoned objects.

Power over Ethernet

This product uses the latest PoE technology to troubleshoot the occurrence of any issues in the system making it easier to use. With the help of this technology, your camera now only consumes energy directly from the power supply and doesn't require any mid-way switches.

Health Monitoring System (HMS)

The Health Monitoring System by CP PLUS provides a real-time health status of your surveillance devices as it enables instant reporting of live incidents and reduces system down-time since issues are detected and rectified at the onset and provides daily system support as well as live status web page view

Instastream

This camera has been designed with the latest and most efficient innovation among the standard video compression designs. Smart encoding algorithms developed by CP PLUS help in saving up to 70% more bandwidth than H.265 along with making it more beneficial for minimizing bandwidth and storage costs. It enhances video coding efficiency while providing high resolution and the rate of frame in the video using Intelligent Region Perception to detect motion in each frame.

gCMOB/ iCMOB

Designed to allow users to access and control live streaming from CP PLUS IP Cameras, DVRs/ NVRs and Video Door Phones, the CP PLUS gCMOB/ iCMOB application offers a host of features such as Easy GUI, up to 16 live viewing split-ups; InstaOn cloud support; Playback; digital zoom ins; two-way talk, and more.

KVMS Pro

The KVMS Pro is a hybrid security management software that allows the management of various surveillance devices such as cameras, DVRs/ NVRs, encoders/ decoders, etc. It is released with the surveillance hardware and exclusively supports CP PLUS devices.

About CP PLUS

The brand that is on its way to lead the world when it comes to the security and surveillance industry, CP PLUS, keeps bombarding the market with the most reliable range of products that have been designed carefully and methodically to automate the whole surveillance and security process, no matter how big your premises are.

It was the initiative to help the public in the area where they are the most vulnerable and to empower the sense of safety in our hearts that had conceptualized CP PLUS. And embarking on its mission to make the world a safer and more secure place has taken the brand's journey to unprecedented levels even when compared to international competitors.



CP-UNC-VG121ZL4-VM

12MP AI IR Network Vandal Dome Camera

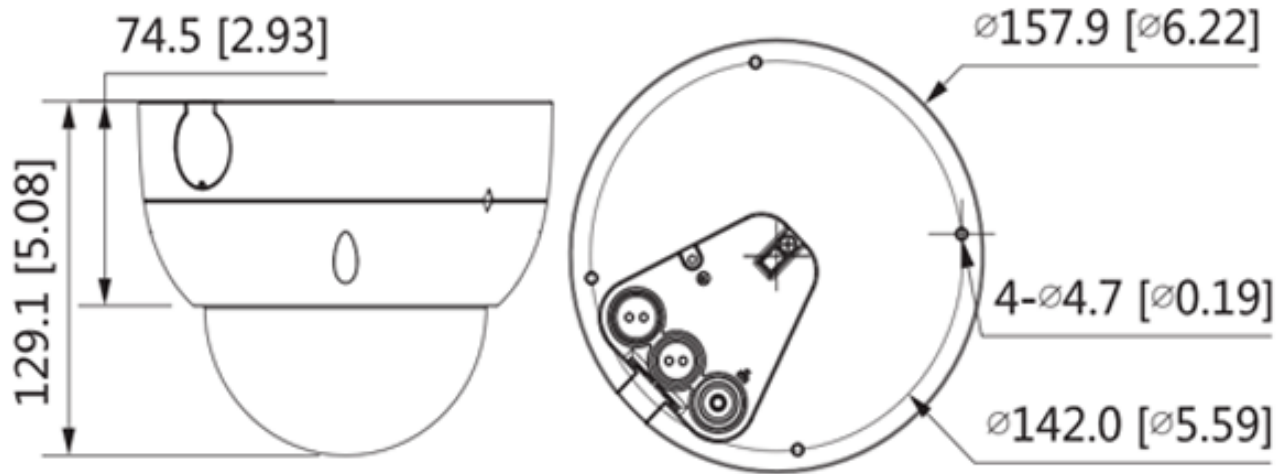
Feature	Specification
Image Sensor	1/1.7"12Megapixel progressive CMOS (1.494cm)
Effective Pixels	4000 (H) × 3000 (V)
RAM	2GB
ROM	4GB
Minimum Illumination	0.01 Lux@F1.8 (Color,30IRE) 0.001 Lux@F1.8 (B/W,30IRE) 0 Lux (IR on)
Shutter Speed	Auto/Manual, 1/3~1/100000s
White Balance	Auto/natural/street lamp/outdoor/manual/regional custom
Lens	2.7~12mm Motorized Lens
Gain Control (AGC)	Auto/Manual
S/N Ratio	>56dB
Bit Rate Control	CBR/VBR
Iris Type	Auto
Mount Type	φ14
Close Focus Distance	1.2m
Max. Aperture	F1.8
Lens Type	Motorized
DORI Distance	W: 97m (Detect) 38m (Observe) 19m (Recognize) 9m (Identify) T: 205m (Detect) 82m (Observe) 41m (Recognize) 20m (Detect)
Angle of View	Horizontal: 103°-44° Vertical: 75°-33° Diagonal: 135°-55°
Video Compression	H.265, Smart H.264+, H.264, H.264H, H.264B, MJPEG (only supported by sub stream)
Encode Strategy	Instastream
Video Streaming	Main stream: 4000 × 3000 @1-25/30fps; Sub stream: 704 × 576@1-25fps, 704 × 480@1-30fps Third stream: 1920 × 1080 @1-25/30fps; Fourth stream: 1920 × 1080 @1-25/30fps Fifth stream: 704 × 576 @1-25fps; 704 × 480 @1-30fps
Resolution	12MP (4000 × 3000); 8MP (3840 × 2160); 6MP (3072 × 2048); 5MP (3072 × 1728); 5MP (2592 × 1944); 4MP (2688 × 1520); 3MP (2048 × 1536); 3MP (2304 × 1296); 2MP (1920 × 1080); 1.3MP (1280 × 960); 720P (1280 × 720); D1 (704 × 576/704 × 480); CIF (352 × 288/352 × 240); VGA (640 × 480)

Feature	Specification
Back Light Compensation	BLC/ HLC/ DWDR
Motion detection	OFF/ON (4 areas, rectangular)
Privacy Mask	8 areas
ICR	Auto (ICR)/Color/B/W
ROI	Yes (4 areas)
Audio Input	1 channel (3-pin terminal with 2.54mm clearance; with audio cable)
Audio Output	1 channel (3-pin terminal with 2.54mm clearance; with audio cable)
Audio Compression	G.711a; G.711Mu; G726; G.723
Alarm IN	3 channel In: 5mA 3V–5V DC
Alarm Out	2 channel Out: 1000mA 30V DC/500mA 50V AC
Face Detection	Face detection; track; optimization; snapshot; face enhancement; face exposure; face attribute extract, 6 attributes and 8 expressions: Gender, age, glasses, expressions (anger, calm, happiness, sadness, disgust, surprise, confusion and fear), mask, beard; face matting setting: face, single inch photo; three snapshot methods: real-time snapshot, optimization snapshot, quality priority; face angle filter; optimization time setting; Support Duration Optimal, Non-living Filtering
People Counting	Support tripwire number counting, people counting in area, and displaying and outputting yearly/monthly/daily reports. Support queue management, and displaying and outputting monthly/daily reports. Support 4 tripwire rules configuration, people counting in 4 areas, and 4 queue management functions.
Cloud Health Monitoring System (HMS)	Support
OTA (Online Device Upgrade)	Support
Mirror	Yes
Video Metadata	Supports human body, human face, motor vehicle and non-motor vehicle image capture, attributes extraction, counting targets by directions (A>B, B>A, or A< >B), and exporting the report.
Alarm Event	No SD card; SD card full; SD card error; network disconnection; IP conflict; illegal access; motion detection; video tampering; tripwire; intrusion; fast moving; abandoned object; missing object; loitering detection; people gathering; parking detection; scene changing; audio detection; defocus detection; external alarm; face detection; people counting in area; stay alarm; people counting; people counting exception detection; safety exception; queue management; face & body detection; face & body detection (match attributes alarm); face & body detection (mismatch attributes alarm); face recognition

Feature	Specification
Bit Rate	H.264: 32 kbps–16384 kbps ; H.265: 32 kbps–14080 kbps
Face and Body Detection	<p>There are two modes: General mode and PPE Detection.</p> <p>General mode: Supports enabling face detection and human detection at the same time, and alarms can be triggered.</p> <p>PPE Detection: Supports PPE detection, can detect attributes including face mask, safety helmet, glasses, and safety vest, top color and bottom color, and determine whether PPE requirements are met. Alarms can be triggered according to the alarm settings.</p>
Face Recognition	<p>There are two models: General mode and counting mode.</p> <p>General mode: Face detection; track; snapshot; snapshot optimization; face enhancement; face exposure; face attribute extraction including 6 attributes (gender, age, glasses, expressions, mask and beard) and 8 expressions (anger, calm, happiness, sadness, disgust, surprise, confusion and fear); supports up to 5 face databases with 50,000 face pictures in total; supports non-living filtering</p> <p>Counting mode: Offers advanced customer counter, filtering of specified face database, and exporting of reports before and after removing duplicate faces.</p>
Protocol	IPv4; IPv6; HTTP; HTTPS; TCP; UDP; ARP; RTP; RTSP; RTCP; RTMP; SMTP; FTP; SFTP; DHCP; DNS; DDNS; QoS; UPnP; NTP; Multicast; ICMP; IGMP; NFS; SAMBA; PPPoE; 802.1x; SNMP; Bonjour; ONVIF (Profile S/Profile G/Profile T); CGI; Milestone; Genetec; InstaOn; RTMP
Smart Detection	Abandoned object, moving object
Perimeter Protection	Tripwire, intrusion, fast moving (the three functions support the classification and accurate detection of vehicle and human); parking detection, loitering detection, and people gathering.
Intelligent Search	Work together with Smart NVR to perform refine intelligent search, event extraction and merging to event videos.
Ethernet	RJ-45 (10/100/1000 Base-T)
User/Host	20 (Total bandwidth: 240M)
Interface Ports	1 RS-485 (baud rate range: 1200 bps-115200 bps)
IR	IR Range of 40 Mtr., Smart IR
Smart Phone	iPhone, iPad, Android Phone
Micro SD	FTP; Micro SD card (256 GB); NAS; SFTP
Image Rotation	0°/90°/180°/270° (Support 90°/270° with 2688 × 1520 resolution and lower)
SDK and API	Yes
Cyber Security	Video encryption; firmware encryption; configuration encryption; Digest; WSSE; account lock-out; security logs; IP/MAC filtering; generation and importing of X.509 certification; syslog; HTTPS; 802.1x; trusted boot; trusted execution; trusted upgrade

Feature	Specification
Operating Temperature	-40°C to +60°C (-40°F to +140°F), /Less than 95% RH
Storage Temperature	-40°C to +60°C (-40°F to +140°F)
Power Source	12V DC/24V AC/PoE+ (802.3at), ePoE, max. current 165mA
Power Consumption	Basic power consumption: 6.1W (12V DC); 6.1W (24V AC active power); 5.4W (PoE) Max. power consumption: 17.9W (12V DC); 17.1W(24V AC active power); 16.8W (PoE)
Browser	IE: IE9 and later, Chrome: Chrome 42 and later, Firefox: Firefox 48.0.2 and later
Weatherproof Standard	IP67 & IK10
Dimension	129.1 mm × Φ157.9 mm (5.08" × Φ6.22")
Casing	Metal + Plastic
Weight	1500g

Dimensions (mm/inch)



Company Name:

CP PLUS (Aditya Infotech Ltd.)
F-28 Okhla Industrial Area, Phase 1,
New Delhi 110020, INDIA

Contact Mail ID :- customercare@cpplusworld.com