

CP-UNR-404T1-AI

4 Ch. PoE H.265 AI Mobile Network Video Recorder

- Supports 4 Ch. 2MP PoE IP cameras input
- Support Instastream/ H.265 video compression
- Aviation connectors/ RJ45(Optional)
- Support 1 HDD and 1 SD card, 3 USB Ports (2.0)
- Support GPS, Wi-Fi and 3G/4G
- VGA/TV simultaneous video output
- Mobile Software: EMSS Pro, iCMOB/gCMOB (Live view and Playback)
- CMS Software: EMSS Pro, KVMS Pro (Live view and Playback)



System Overview

The CP PLUS Mobile Network Video Recorder is perfect for any situation whether you are just starting your mobile surveillance and have an on-going sophisticated security operation. This MNVR is purposefully built for mobile environments with high-resolution recording as well as dual streaming technology. This MNVR comes with an enhanced system health monitoring solution that adds to your peace of mind by upholding the health level of your security system.

Functions

Multiple ports

With kinds of ports, like RS232, RS485, I/O, the video recorder can connect with various of accessories, such as card reader, fuel sensor, panic button and so on, so that the video, audio, alarm and location information can be uploaded to VMS.



CP-UNR-404T1-AI

4 Ch. PoE H.265 AI Mobile Network Video Recorder

Functions

GPS

This MNVR comes with an in-built GPS to support location tracking and relays the current location of the device in real-time to the control room.

Improved Management Capabilities

Flexible channel assignment, automatic IP addressing, dynamic camera configuration during alarm, and video management integration work together to simplify the system maintenance and management activities.

Vibration Resistant

This modern MNVR has been crafted with a vibration resistant design to prevent damage under harsh conditions or environmental pressures.

H.265 Video Compression

The most reliable video compression design, which is H.265, has been provided in this product. This technology is beneficial for minimising storage costs as well as enabling you to save on resolution and the rate of frame in the video with the help of Intelligent Region Perception to detect motion in each frame.

About CP PLUS

The brand that is on its way to lead the world when it comes to the security and surveillance industry, CP PLUS, keeps bombarding the market with the most reliable range of products that have been designed carefully and methodically to automate the whole surveillance and security process, no matter how big your premises are.

It was the initiative to help the public in the area where they are the most vulnerable and to empower the sense of safety in our hearts that had conceptualized CP PLUS. And embarking on its mission to make the world a safer and more secure place has taken the brand's journey to unprecedented levels even when compared to international competitors.



CP-UNR-404T1-AI

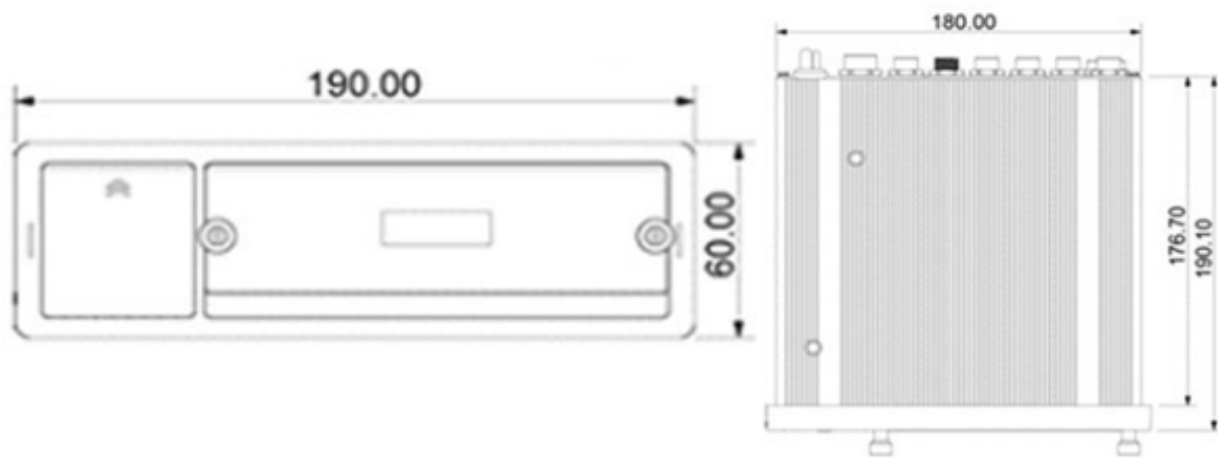
4 Ch. PoE H.265 AI Mobile Network Video Recorder

Feature	Specification
Processor	High-performance industrial embedded micro-controller
Operating System	Embedded LINUX
Two-way Talk	Supported
Operation Interface	WEB, AV, VGA, HDMI
IP Camera Input	4 PoE Ethernet Ports, all channels 2MP Total output power of PoE: 36 W Max. output power of a single port: 25.4 W
Video Output	AV OUT x 1, VGA x 1 , HDMI x 1
Compression	H.265, H.264
Encode Strategy	Instastream
Video Frame Rate	PAL: 1-25fps, NTSC: 1-30fps
Video Resolution	800 × 600, 1280×1024
Video Display Split	1/4
OSD Overlay	Channel, time, GPS position, license plate
Encoding Capacity	1080P/720P/960H/D1/CIF
Dual-Stream	Supported (up to D1 encoding for sub stream)
Image Quality Adjustment	Image quality adjustable across six levels
Audio Compression	G.711A/G.711U/PCM
Audio Input	4 (with Built-in Mic camera)
Audio Output	1 aviation port for audio output
Alarm Input	8 channels for alarm input, 1 channel for pulse speed measuring
Alarm Output	1 channel of controllable 12V alarm output, digital quantity

Feature	Specification
Hard Disk	1, 2.5-inch HDDs (SATA) up to 2TB
SD Card	1 SD card, Up to 256GB
Face Detection and Face Recognition	Face capture, face comparison
Record Mode	Auto, Manual, motion detection, schedule, alarm Record alarm > alarm > motion detection > schedule
Heat Dissipation	Built-in fan cooling
General Alarm	Motion detection, video tampering and loss, local alarm, camera offline, manual alarm control and face blacklist
Abnormal Alarm	No HDD, HDD error, insufficient capacity, illegal login, ACC off, high temperature, rollover, battery low voltage, over speed, low speed, collision, tapid turn, rapid speedup, hard braking, low battery safety exception, network security exception
Alarm Linkage	Record, snapshot, local external alarm output, buzzer, log, screen prompt, tour
Gyroscope	Supports event detection and alarm such as rollover, collision, rapid speedup/slowdown/turn.
Recording Playback	1, 4
Backup Mode	HDD, USB flash drive and network backup
GPS	Support
Wi-Fi	Supports built-in 2.4 G Wi-Fi modules
3G/4G	Support
Interface Ports	Front panel: 2 × USB 2.0 Rear panel: 1 × USB 2.0 from EXTEND port, 3 Port RS232, 2 Port RS485, 1 TV Output, 1 Pulse Count, 1 CAN Port
Network Port	1 x 10M/100M RJ45
Power Supply	DC 6-36V with the built-in UPS (Enables system protection in normal power cut-off and in under voltage of vehicle battery.)
Power Consumption	10.2 W (without peripheral) Low power consumption: < 0.1W
Operating Temperature	-30 °C to +70°C (-22 °F to +158 °F)
Operating Humidity	10 ~ 90%

Feature	Specification
Dimensions	1 DIN Front panel: 190 mm × 60 mm (7.5'×2.4') Rear panel: 180 mm × 50 mm (7.1'×2.0') Depth:190 mm (7.5')
Weight	2.93Kg (with packages)

Dimensions (mm/inch)



Company Name:

CP PLUS (Aditya Infotech Ltd.)

F-28 Okhla Industrial Area, Phase 1,

New Delhi 110020, INDIA

Contact Mail ID :- customercare@cpplusworld.com

