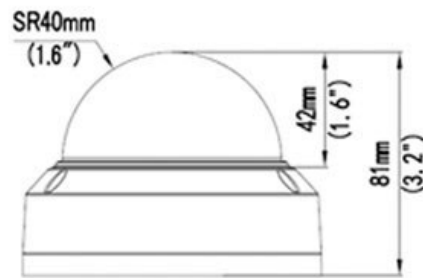
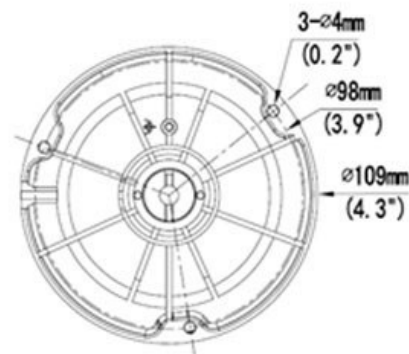


CP- VNC-V21L3**2 MP Full HD IR Vandal Dome Camera - 30Mtr.****INDIGO****Main Features**

- 1/2.7" 2MP PS CMOS Image Sensor
- Max: 25/30fps@1080P , Max: 25/30fps@720P
- Ultra 265,H.265, H.264, MJPEG Triple-stream encoding
- DWDR, Day/Night (ICR), 2D/3D-DNR, ROI, AWB, AGC, BLC
- 2.8mm Lens (3.6mm Optional)
- IR Range of 30 Mtrs, Smart IR, IP67, IK10, PoE
- Supports Instastream technology, save disk space and bandwidth upto 70%
- Mobile Software: Android, iOS
- CMS Software: IVMS

**InstaStream****CE FC****RoHS COMPLIANT**

CP- VNC-V21L3

2 MP Full HD IR Vandal Dome Camera - 30Mtr.



Feature

Image Sensor
 Minimum Illumination
 Shutter Speed
 White Balance
 Lens
 Gain Control(AGC)
 Angle of View
 S/N Ratio
 Video Compression
 Back Light Compensation
 Video Streaming
 Resolution
 Frame Rate
 Motion detection
 Privacy Mask
 ICR
 ROI
 Protocol
 Ethernet
 General Function
 IR
 OSD
 Operating Temperature
 Humidity
 Power Source
 Power Consumption
 Weatherproof Standard
 Dimension
 Weight

Specification

1/2.7" 2MP Progressive scan CMOS
 Colour: 0.02Lux (F2.0, AGC ON) 0Lux with IR
 Auto/Manual, 1~1/100000 s
 Auto/Manual
 2.8mm Lens (3.6mm Optional)
 Auto/Manual
 2.8mm- 112.7°(H) 60.1°(V) 146.5°(O), 3.6mm- 86.5°(H) 44.1°(V) 106.4°(O)
 >52dB
 Ultra 265,H.265, H.264,MJPEG
 BLC/ HLC/ DWDR
 Triple
 2MP (1920 × 1080)
 Main Stream: 2MP (1920×1080): Max. 25/30 fps; Sub Stream:720P (1280×720): Max. 25/30 fps; Third Stream: D1(720×576) : Max. 25/30fps
 Up to 4 areas
 Up to 8 areas
 IR-cut filter with auto switch (ICR)
 Up to 2 areas
 IPv4, IGMP, ICMP, ARP, TCP, UDP, DHCP, RTP, RTSP, RTCP, DNS, DDNS, NTP, FTP, UPnP, HTTP, HTTPS, SMTP, SSL, QoS, ONVIF (Profile S, Profile T), API
 1 RJ45 10M/100M Base-TX Ethernet
 Watermark, IP Address Filtering, Tampering Alarm, Access Policy, ARP Protection, RTSP Authentication, User Authentication
 IR Range of 30 Mtr.
 Up to 4 OSDs
 -30°C ~ +60°C (-22°F ~ 140°F)
 ≤95% RH (non-condensing)
 12 V DC±25%, PoE (IEEE802.3 af)
 Max 5.0W
 IP67 & IK10
 Ø108.5 x 81 mm (Ø4.28" x 3.2")
 0.37 kg

