



**Video Door Phone
User's Manual
CP-PVK-70MTH1**

Table of Contents

Welcome.....	3
1. Introduction.....	1
2. Features & Functions.....	1
2.1. Monitor.....	1
2.2. Outdoor Panel.....	1
3. Specifications Monitor unit:	2
4. Specification Outdoor Panel:	2
5. VDP (Video Door Phone) Content.....	2
6. Hardware Description	3
7. Operation of the video door phone.....	4
8. Installation	4
9. Cabling Requirement	5
10. Precautions	5

Welcome

Thank you for purchasing CP PLUS Video Door Phone!

This user's manual is designed to be a reference tool for VDP system. Please open the accessory bag to check the items one by one in accordance with the list below. Contact your local retailer ASAP if something is missing or damaged in the bag.

1. Introduction

Video Door Phone is an intercom system that is used to make calls from the entrance of a building to communicate with visitors without any physical interaction and engage with them only if you wish to. Video Door Phones not only increase home security, but also provide convenience.

The VDP system has an outdoor unit for visitors and indoor monitor for residents. It provides audio and video connection between the residents and visitors. Release electric door. Higher safety and comfort for residents.

2. Features & Functions

2.1. Monitor

- a) 7" color indoor monitor
- b) Support 2 door stations and 3 monitors
- c) Brightness, color, and contrast adjustable
- d) Ring volume adjustable
- e) Hands-free
- f) Support DC 12V power input
- g) Support 5 touch buttons
- h) Support intercom network
- i) Support 2 CCTV input and 1 video-out to TV or DVR
- j) OSD menu and 6 melodies adjustable
- k) Door lock release
- l) Do not disturb function
- m) Automanual picture recording

2.2. Outdoor Panel

- a) Pinhole color camera
- b) 4 Wires in polarity
- c) Door lock release
- d) IR LED for night vision
- e) Surface mounted

3. Specifications Monitor unit:

Category	Specification
TFT LCD	7-inch digital TFT LCD
LCD resolution	800(RGB)*480
Connection with camera	Support two 4-wire outdoor stations and two 2-wire CCTV
Input power	DC:12V/2A
Power consumption	Max:7W Standby:1.5W
Dimensions(mm)	205(W)×128(H)×18(D)

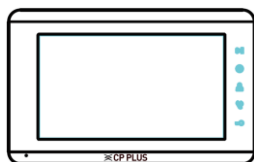
4. Specification Outdoor Panel:

Category	Specification
Camera Resolution	700 TVL
IR LED	4 nos.
Wiring	4 Wire Monitor/2 Wire Electronic lock
Operation temperature	205(W)×128(H)×18(D)
Dimension (mm)	124(H)×40(W)×25(D)

5. VDP (Video Door Phone) Content



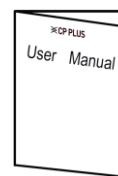
Outdoor Panel



Monitor

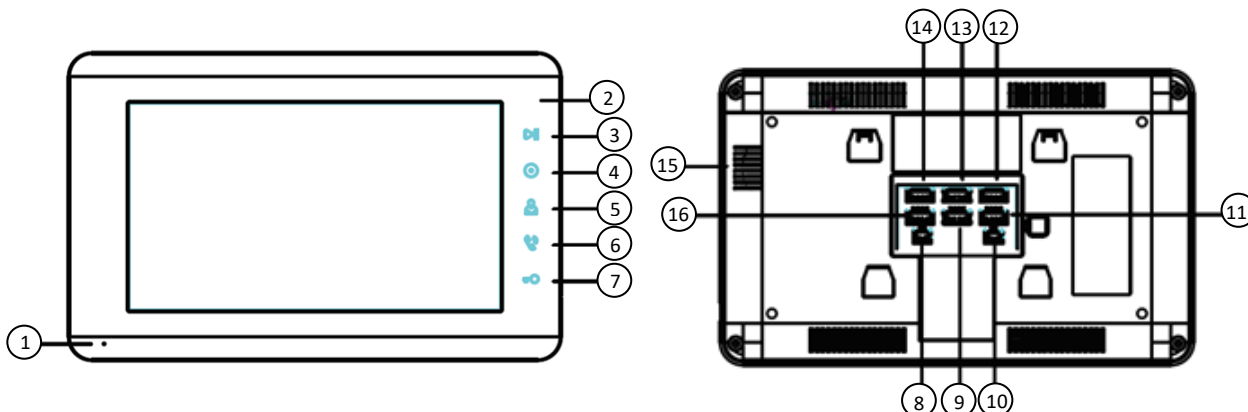


Power Adapter

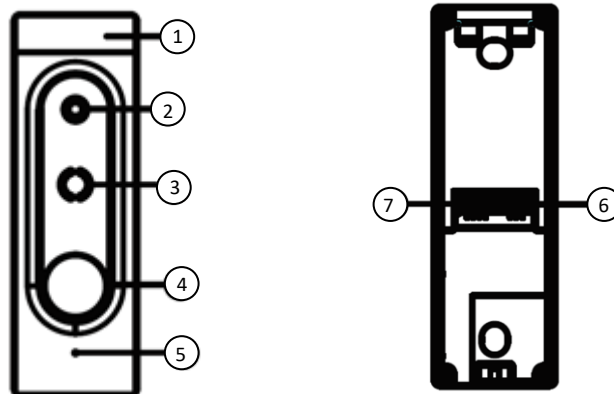


User Manual

6. Hardware Description







No.	Part Name	Description
1	MIC	Microphone
2	Power Indicator	Power LED Light for different functions
3	Menu/Storage Button	Monitoring interface used for menu; standby interface used for storage photo/video browsing
4	Intercom Button	Intercom Button between indoor monitors
5	Monitor Button	Button for monitoring outdoor panel and CCTV camera
6	Talk Button	Button for talking with visitor
7	Unlock Button	Button for unlocking the door
8	CCTV-OUT	Used for connecting to TV or DVR
9	Intercom Connector 1	Intercom connector for another monitor
10	DC Power Input	12V DC input
11	Intercom Connector 2	Intercom connector for another monitor
12	CAM2 Connector	To connector outdoor panel
13	CAM1 Connector	To connect 2 nd outdoor panel
14	CCTV1 Connector	To connect analog CVBS camera
15	Speaker	Speaker
16	CCTV2 Connector	To connect 2 nd analog CVBS camera

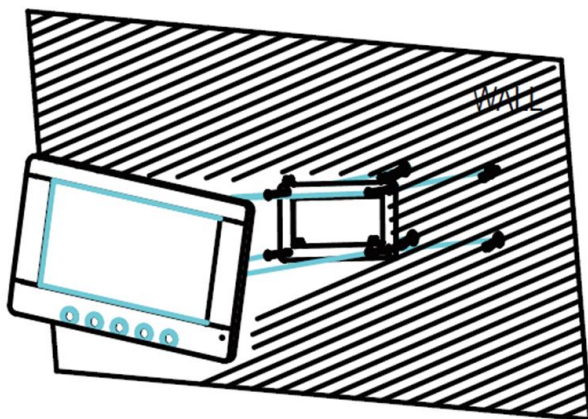


No.	Part Name	Description
1	IR LED Light	For night vision
2	Camera	700TV high quality camera
3	Speaker	To get the audio from Indoor monitor
4	Call Button	To ring call in indoor monitor
5	Microphone	To send audio to Indoor monitor
6	Terminal for Electronic Lock	To connect electronic lock
7	Terminal for Indoor Monitor	To connect indoor monitor with outdoor panel

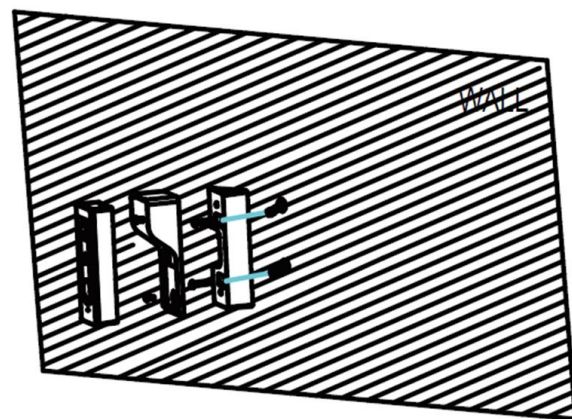
7. Operation of the video door phone

- a) Visitors press the call button of the outdoor panel to call the monitor. To accept the call, press Talk button on the video monitor. Talking time lasts for 60s.
- b) Below is the button description for indoor monitors
- c) To talk between the monitor and camera unit, please press 
 - i. To Intercom with the slave monitor, please press 
 - ii. To monitor the outdoor panel, please press 
 - iii. To control an electric door release, please press 

8. Installation



Indoor Monitor



Outdoor Panel

- a) Choose a suitable location to install the system, it is recommended to fix the monitor at the user-eyes height between 145cm and 160cm.
- b) Mark the holes of the frame on the wall and drill the holes.
- c) Drill the hole into the wall in the center of the bracket for cables go through the wall.
- d) Fix the bracket with extension pipe and screws.
- e) The outdoor panel should be mount at eye level of a person.

9. Cabling Requirement

- a) Video door phone system uses 4 core cables. Cable should be used according to different distance requirement from outdoor panel to indoor monitor. In the areas with high possibility of interference it is recommended to use a 75ohm coaxial for connection for better video signal.

RVV4 (mm)	0.3	0.5
Distance (mm)	30	50

10. Precautions

- Do not place the monitor to the TV-set or into environment with high temperature and damp place.
- Do not take apart outdoor unit or any parts of the video system.
- Protect the lens of outdoor camera unit from direct sun light to avoid pale picture on the monitor.
- Do not use the equipment when with vibrations environment. Protect the equipment from falls.



Website: - www.cpplusworld.com

Email id: - sales@cpplusworld.com; support@cpplusworld.com