

CP-UNC-VB21ZL4-VMDS

2MP Full HD WDR IR Network Vandal Dome Camera - 40Mtr.

- 1/2.8" 2MP Progressive Scan CMOS (0.9071 centimeters)
- Max. 25/30fps@2MP (1920×1080)
- Supports Starlight Function
- Instastream, H.265 and H.264+ Stream coding
- WDR(120dB), Day/Night (ICR), 3D-DNR, ROI, AWB, AGC, BLC, HLC
- 2.7mm~13.5mm Motorized Lens
- IR Range upto 40 Mtrs, IP67, IK10, Micro SD Card, PoE
- Mobile Software: iCMOB, gCMOB
- CMS Software: KVMS Pro



System Overview

This Series has gathered a lot of fame over the years for its eminent capabilities on top of its artful appearance which lets it mix in any background. This series entails a wide range of easily-mountable solutions that have been crafted with the IR Megapixel technology that delivers resolutions varying from 2MP to 8MP depending on your choice of products. CP Plus Lite Series comes with a varifocal lens/motorized/ fixed lens and is absolutely pocket-friendly, which makes it the best choice for a number of small and mid-size places.

Functions

Starlight Technology

This camera is widely used to provide sharper and clearer picture quality with the help of its exceptional starlight sensitivity as the camera improves night vision in low light conditions. This technology is useful in conditions with extremely low light as the starlight technology turns almost completely dark images into those of clear colors.



CP-UNC-VB21ZL4-VMDS

2MP Full HD WDR IR Network Vandal Dome Camera -
40Mtr.

Functions

Wide dynamic range (WDR)

When a scene is partly dark and partly bright, that is the dynamic range that distorts images due to this difference in the lighting. WDR technology provides you balanced lighting for a clear and vivid image throughout the day. WDR technology can be installed at entry/exit points of any building structure, jewellery shops, outdoor location among so many other places.

Instastream

This camera has been designed with the latest and most efficient innovation among the standard video compression designs. Smart encoding algorithms developed by CP PLUS help in saving up to 70% more bandwidth than H.265 along with making it more beneficial for minimizing bandwidth and storage costs. It enhances video coding efficiency while providing high resolution and the rate of frame in the video using Intelligent Region Perception to detect motion in each frame.

Smart Analytical Support

Using an advanced algorithm, smart analytical technology lets you set a multitude of safety parameters and sends you alerts when any of those parameters have been compromised. Not just when there's an occurrence of tripwire or intrusion.

True Day/Night

When the scene is too dark, the image is captured by illuminating an infrared light through the camera onto the scene that greatly helps with making the scene visible for the lens. It delivers color images during the day and automatically switches to the monochrome feature as the scene darkens.

IK10 Technology

This product has been inculcated with the IK10 vandal resistance technology which is the topmost mechanical protection in the surveillance industry.

gCMOB/ iCMOB

Designed to allow users to access and control live streaming from CP PLUS IP Cameras, DVRs/ NVRs and Video Door Phones, the CP PLUS gCMOB/ iCMOB application offers a host of features such as Easy GUI, up to 16 live viewing split-ups; InstaOn cloud support; Playback; digital zoom ins; two-way talk, and more.

About CP PLUS

The brand that is on its way to lead the world when it comes to the security and surveillance industry, CP PLUS, keeps bombarding the market with the most reliable range of products that have been designed carefully and methodically to automate the whole surveillance and security process, no matter how big your premises are.

It was the initiative to help the public in the area where they are the most vulnerable and to empower the sense of safety in our hearts that had conceptualized CP PLUS. And embarking on its mission to make the world a safer and more secure place has taken the brand's journey to unprecedented levels even when compared to international competitors.



CP-UNC-VB21ZL4-VMDS

2MP Full HD WDR IR Network Vandal Dome Camera - 40Mtr.

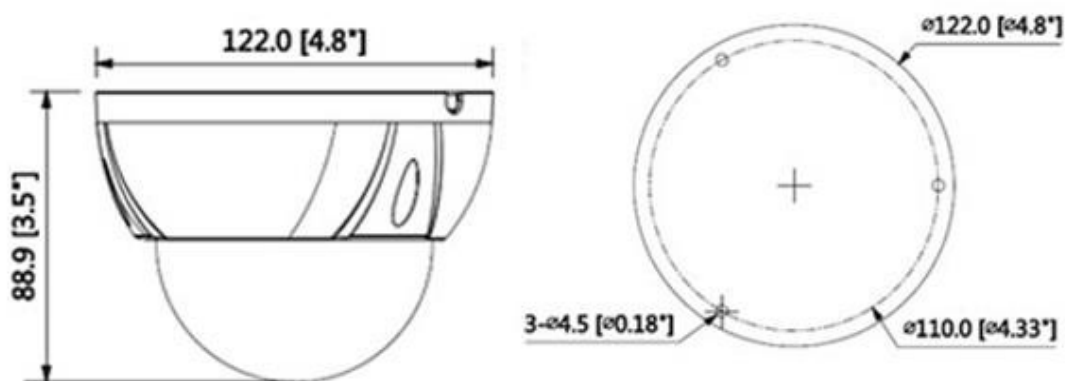
Feature	Specification
Image Sensor	1/2.8" 2MP PS CMOS (0.9071 centimeters)
Minimum Illumination	0.002 Lux@F1.6
Effective Pixels	1920(H)x1080(V)
Shutter Speed	Auto/Manual, 1/3~1/100000s
White Balance	Auto/natural/street lamp/outdoor/manual/regional custom
Lens	2.7mm~13.5mm Motorized Lens
Mount Type	φ14
Max. Aperture	F1.6
Iris Type	Auto
DORI Distance	W- 44.1m (Detect) 17.6m (Observe) 8.8m (Recognize) 4.4m (Identify) T- 151.7m (Detect) 60.6m (Observe) 30.3m (Recognize) 15.1m (Identify)
Gain Control (AGC)	Auto/Manual
Video Compression	H.265; H.264+; H.264; H.264B; MJPEG
Encode Strategy	Instastream
Noise Reduction	3D-DNR
Angle of View	H:109°~28°, V: 57°~16°, D: 131°~33°
Back Light Compensation	BLC / HLC / WDR(120dB)
Dual Streaming* (Default)	Main Stream: 1920 × 1080 (1 fps-25/30 fps) Sub Stream: 704 × 576 (1 fps-25fps), 704 × 480 (1 fps-30fps)
Three Streaming* (Optional)	Main Stream: 1920 × 1080 (1 fps-25/30 fps) Sub Stream: 704 × 576 (1 fps-25fps), Third stream: 704 × 480 (1 fps-30fps)
Resolution	2MP(1920 × 1080); 1.3MP(1280 × 960); 720P (1280 × 720); D1(704 × 576/704 × 480); VGA(640 × 480); CIF(352 × 288/352 × 240)
Motion detection	Off/ On (4 areas, rectangular)
Privacy Mask	4 areas
ICR	ICR switch
ROI	Yes (4 areas)

Feature	Specification
Audio Input	1 (RCA port)
Audio Output	1 (RCA port)
Audio Compression	G.711a; G.711Mu; G.726; AAC
Alarm IN	1 channel In: 5mA 3V-5VDC
Alarm Out	1 channel Out: 300mA 12VDC
Video Bit Rate	H.264: 32 Kbps–6144 Kbps, H.265: 12 Kbps–6144 Kbps
Bit Rate Control	CBR/VBR
Protocol	HTTP; TCP; ARP; RTSP; RTP; UDP; RTCP; SMTP; FTP; DHCP; DNS; DDNS; PPPoE; IPv4/v6; QoS; UPnP; NTP; RTMP; Multicast; HTTPS; SFTP; 802.1x; ICMP; IGMP; ONVIF (Profile S/Profile G); CGI; Milestone; Genetec
Smart Detection	Tripwire, Intrusion
Ethernet	RJ-45 (10/100Base-T)
Event Trigger	Motion detection, video tampering, no SD card, SD card full, SD card error, network disconnected, IP conflict, illegal access, local alarm, voltage detection, audio abnormal
User Account	20 Users
Browser	IE, Google, Firefox
Mirror	Yes
OTA (Online Device Upgrade)	Support
Cloud Health Monitoring System (HMS)	Support
Smart Phone	iPhone, iPad, Android Phone
IR	IR Range upto 40 Mtr., Smart IR
Micro SD	FTP; Micro SD Card (support max. 512GB); NFS
Operating Temperature	-30°C~+60°C , Less than 95%RH
Power Source	DC12V, PoE
Power Consumption	< 6.4W
Weatherproof Standard	IP67, IK10

Feature	Specification
Casing	Metal
Dimension	Φ122 mm × 88.9 mm (Φ4.80" × 3.50")
Weight	0.47kg

***Note - Different Firmware Applicable for Both Streaming (Dual/Three Streams)**

Dimensions (mm/inch)



Accessories : Optional



CP-UA-B2P
Pole Mount



CP-UA-B06DW
Wall Mount

Company Name:

CP PLUS (Aditya Infotech Ltd.)
F-28 Okhla Industrial Area, Phase 1,
New Delhi 110020, INDIA

Contact Mail ID :- customercare@cpplusworld.com