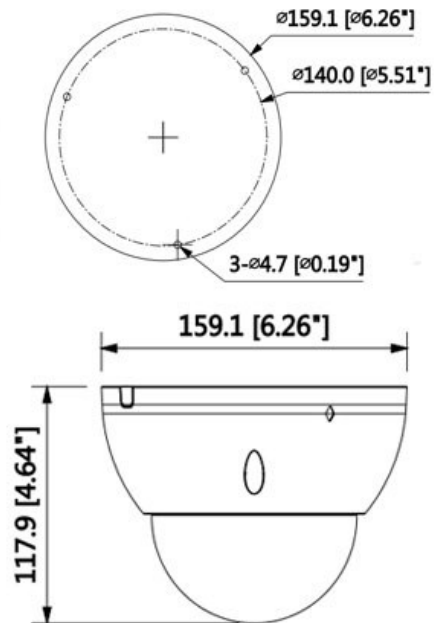


CP- UNC-VE4K081ZL10E-VMD**4K Full HD WDR IR Vandal Dome Camera - 100Mtr.****Main Features**

- 1/2.5" 8MP Progressive Scan CMOS
- 15fps@4K, 25/30fps@3M
- H.265 and H.264 triple-stream encoding
- WDR, Day/Night (ICR), 3D-DNR, ROI, AWB, AGC, BLC, HLC
- 7mm ~35mm motorized lens
- IR Range of 100 Mtrs, IP67, IK10, SD Card, ePoE
- Mobile Software: iCMOB, gCMOB
- CMS Software: KVMS Pro, vOptimus Pro



CP- UNC-VE4K081ZL10E-VMD**4K Full HD WDR IR Vandal Dome Camera - 100Mtr.****Feature**

Image Sensor
Effective Pixels
Minimum Illumination
Shutter Speed
White Balance
Lens
Gain Control (AGC)
Angle of View
Video Compression
S/N Ratio
Back Light Compensation
Video Streaming
Resolution
Digital Zoom
Motion detection
Privacy Mask
ICR
ROI
Audio Input
Audio Output
Audio Compression
Alarm IN
Alarm Out
Bit Rate
Protocol
Smart Detection
Ethernet
User Account
IR

Specification

1/2.5" 8MP Progressive scan CMOS
3840(H)x2160(V)
0.05Lux/F1.4 (Color,1/3s,30IRE), 0.2Lux/F1.4 (Color,1/30s,30IRE), 0Lux/F1.4(IR on)
Auto/Manual, 1/3~1/100000s
Auto/Natural/Street Lamp/Outdoor/Manual
7mm~35mm Lens
Auto/Manual
H:38°~14°, V:22°~8°
H.265+/H.265/H.264+/H.264
More than 50dB
BLC / HLC / WDR
Main Stream: 4K(1~15fps)/ 3M(1~25/30fps) Sub Stream: D1(1~25/30fps) Third Stream: 720P(1~25/30fps)
4K(3840x2160)/6M(3072x2048)/5M(2560x1920)/ 3M(2048x1536)/3M(2304x1296)/ 1080P(1920x1080)/ 1.3M(1280x960)/ 720P(1280x720)/D1(704x576/704x480)
16x
Off / On (4 Zone, Rectangle)
Off / On (4 Area, Rectangle)
Auto (ICR)/Color/B/W
Off / On (4 Zone)
1 Channel
1 Channel
G.711a/ G.711Mu/ AAC/ G.726
1 channel In: 5mA 5VDC
1 channel Out: 300mA 12VDC
H.264: 24K ~ 10240Kbps, H.265: 14K ~ 9984Kbps
HTTP; HTTPS; TCP; ARP; RTSP; RTP; UDP; SMTP; FTP; DHCP; DNS; DDNS; PPPOE; IPv4/v6; QoS; UPnP; NTP; Bonjour; 802.1x; Multicast; ICMP; IGMP; SNMP, ONVIF, PSIA, CGI
Tripwire, Intrusion, Object Abandoned/Missing, Face detection
RJ-45 (10/100Base-T)
10/ 20 Users
IR Range of 100 Mtr.

CP- UNC-VE4K081ZL10E-VMD**4K Full HD WDR IR Vandal Dome Camera - 100Mtr.****Feature**

Smart Phone
No. of IR LEDs
Micro SD
Operating Temperature
Power Source
Power Consumption
Weatherproof Standard
Dimension
Weight

Specification

iPhone, iPad, Android Phone
3 IR
Micro SD card 128GB
-30° C ~ +60° C, Less than 95% RH
DC12V, AC24V, ePoE
<15W
IP67 & IK10
Φ159.1mm×117.9mm
0.95 kg