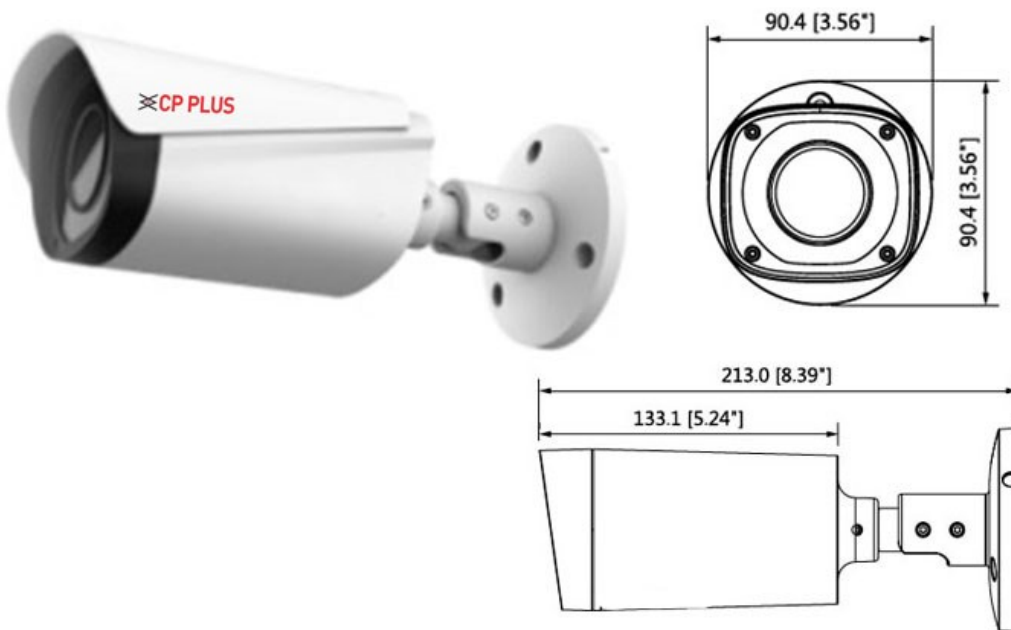


**CP- USC-TA50ZL6C-DS****5MP Full HD WDR IR Cosmic Bullet Camera - 60Mtr.****COSMIC**  
HD CAMERA**Main Features**

- 1/2.7" 5MP CMOS Image Sensor
- Max. 20fps@5MP
- WDR(100dB), Day/Night (ICR), 2D-DNR, AWB, AGC, BLC,HLC
- 2.7-12mm Motorized lens
- Max. IR length 60m, IP67, Smart IR, Built-in mic
- Starlight Technology
- OSD Menu, control over coaxial cable, 2D-DNR
- HD and SD output switchable



# CP- USC-TA50ZL6C-DS

5MP Full HD WDR IR Cosmic Bullet Camera - 60Mtr.

**COSMIC**  
HD CAMERA

## Feature

Image Sensor  
Minimum Illumination  
Effective Pixels  
Shutter Speed  
White Balance  
Gain Control (AGC)  
Lens  
Back Light Compensation  
Angle of View  
S/N Ratio  
Video Streaming  
Video Output  
Resolution  
ICR  
OSD  
IR  
Audio  
Operating Temperature  
Power Source  
Power Consumption  
Weatherproof Standard  
Casing  
Dimension  
Weight

## Specification

1/2.7" CMOS  
0.02Lux/F1.8, 30IRE, 0Lux IR on  
2592(H) x 1944(V), 5MP  
PAL: 1/25~1/100000s NTSC: 1/30~1/100000s  
Auto / Manual  
Auto / Manual  
2.7-12mm Motorized lens  
BLC / HLC / WDR(100dB)  
H: 98°~34°  
More than 65dB  
20fps@5MP, 25/30fps@4MP, 25/30fps@1080P  
1-channel BNC high definition video output / CVBS video output (Can switch)  
5MP (2592×1944)  
Auto (ICR) / Manual  
Multi-language  
IR Range of 60 Mtr.  
Built-in mic  
-40°C~+60°C / Less than 95%RH  
12V DC ±30%  
Max. 12W (12V DC, IR on)  
IP67  
Metal  
φ90.4mm×210mm (φ3.6"×8.3")  
0.55kg