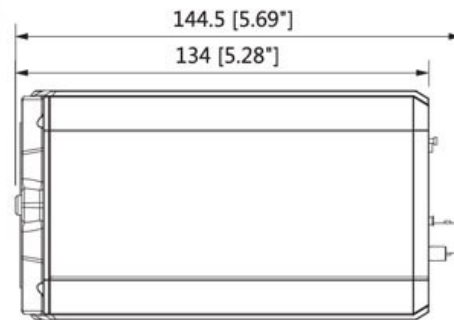
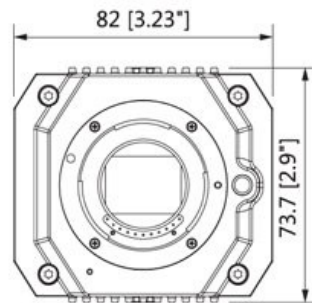


**CP- UVC-BC4K08C-D****4K WDR HDCVI Box Camera****Main Features**

- 4/3" 8Megapixel progressive scan CMOS
- 30fps@3840×2160(HDMI)/15fps@3840×2160(BNC)
- M43 lens interface
- Up to 500m transmission with 75-3 coaxial cable
- WDR(140dB), Day/Night (ICR), 2D/3D-DNR, AWB, AGC, BLC, HLC
- Built-in Mic
- HDMI video output directly



# CP- UVC-BC4K08C-D

## 4K WDR HDCVI Box Camera



### Feature

Image Sensor  
Effective Pixels  
Minimum Illumination  
Shutter Speed  
White Balance  
Gain Control (AGC)  
Lens  
S/N Ratio  
Back Light Compensation  
Video Streaming  
Video Output  
Resolution  
ICR  
Audio Input  
Alarm IN  
Alarm Out  
OSD  
Audio  
Operating Temperature  
Power Source  
Power Consumption  
Dimension  
Weight

### Specification

4/3" CMOS  
3840(H)×2160(V), 8MP  
0.001Lux/F1.2(Color), 0.0001lux/F1.2(B/W)  
1/1s~1/100,00s  
Auto / Manual  
Auto  
M43  
More than 65dB  
BLC / HLC / WDR(140dB)  
PAL:4K@12.5fps; 4MP@25fps, NTSC:4K@15fps; 4MP@30fps  
1-channel HDMI video output & 1-channel BNC video output  
8MP (3840×2160)  
Auto (Electronic) / Manual  
1 channel  
2 channel  
1 channel  
Multi-language  
Built-in Mic  
-30°C~+60°C/ Less than 90%RH  
12V DC ±25%/24V AC ±25%  
Max 9W (DC12V)  
132mm×82mm×73.7mm  
0.41kg